

HITACHI

SERVICE MANUAL

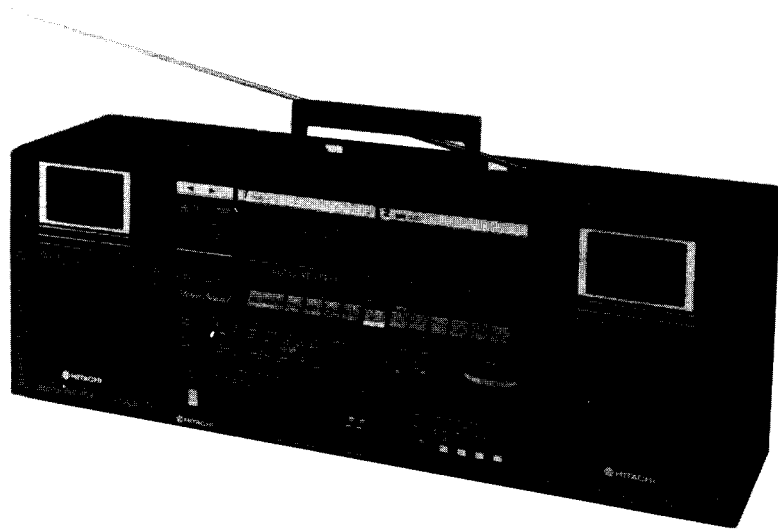
TY

No. 484E

TRK-W550

(H,HC,E,E(BS),W,AU)

TAPE 1 TN-222F-116 chassis
TAPE 2 TN-29F-135 chassis



CONTENTS

| | |
|-------------------------------------|-------------|
| SPECIFICATIONS | 1 |
| DISASSEMBLY | 2 |
| DIAL INDICATOR SETTING METHOD | 3 |
| ADJUSTMENT | 4 |
| PRINTED WIRING BOARD | 10-12,16-25 |
| CIRCUIT DIAGRAM | 13-15,26-28 |
| WIRING DIAGRAM | 29 |
| BLOCK DIAGRAM | 31 |
| DESCRIPTION OF NEW PARTS | 34 |
| EXPLODED VIEW | 36 |
| REPLACEMENT PARTS LIST | 39 |

SAFETY PRECAUTIONS

The following precautions should be observed when servicing.

1. Since many parts in the unit have special safety related characteristics, always use genuine Hitachi's replacement parts. Especially critical parts in the power circuit block should not be replaced with other makers. Critical parts are marked with Δ in the circuit diagram and printed wiring board.
2. Before returning a repaired unit to the customer, the service technician must thoroughly test the unit to ascertain that it is completely safe to operate without danger of electrical shock.

SPECIFICATIONS

RADIO SECTION

| | | | |
|--------------------------------|---|----------------------------|---|
| Circuit System: | FM/AM 2-band Superheterodyne [For H,HC] | Sensitivity: | FM: 10 dB (pra.) 2 dB (max.) |
| | FM/SW/MW/LW 4-band Superheterodyne [For E, E(BS)] | | SW: 30 dB (pra.) 25 dB (max.) |
| | FM/SW2/SW1/MW 4-band Superheterodyne [For W, AU] | | SW2: 30 dB (pra.) 20 dB (max.) |
| Tuning Range: | FM: 88 to 108 MHz [For H, HC, W, AU] | | SW1: 50 dB (pra.) 35 dB (max.) |
| | FM: 87.5 to 108 MHz [For E, E(BS)] | MW (AM): | 50 dB (pra.) 35 dB (max.) |
| | SW: 6 to 18 MHz [For E, E(BS)] | LW: | 57 dB (pra.) 45 dB (max.) |
| | SW2: 7 to 22 MHz [For W, AU] | | |
| | SW1: 2.3 to 7 MHz [For W, AU] | Antennas (Aerials): | FM/SW (SW2): Telescopic antenna |
| | MW (AM): 530 to 1,605 kHz | | SW1/MW (AM)/LW: Built in ferrite-core antenna |
| | LW: 150 to 285 kHz [For E, E(BS)] | | |
| Intermediate Frequency: | FM: 10.7 MHz | | |
| | MW (AM): 465 kHz [For E, E(BS)] | | |
| | MW (AM): 455 kHz [For H, HC, W, AU] | | |

SPECIFICATIONS AND PARTS ARE SUBJECT TO CHANGE FOR IMPROVEMENT.

PORTABLE COMPONENT SYSTEM

February 1986

TOYOKAWA WORKS

● TAPE RECORDER SECTION

| | |
|---|--|
| Tape: | Cassette tape |
| Track System: | 4 track 2 channel stereo |
| Tape Speed: | 4.75 cm/sec. |
| Recording System: | AC bias (TAPE 2) |
| Erasing System: | AC erase (TAPE 2) |
| Frequency Response: | Normal: 30 to 13,000 Hz METAL: 30 to 14,000 Hz |
| Signal to Noise Ratio: | 50 dB |
| Wow and Flutter: | 0.08% (W-RMS) |
| Cross Talk: | Between tracks: 65 dB Between channels: 40 dB |
| Output Load Impedance: | Mixing mic: 1.6 mV, 4 kΩ Line-in: 600 mV, 47kΩ [For H, HC, W, AU] CD-in: 650 mV, 47kΩ [For H, HC, W, AU] Phono-In: 6 mV, 47 kΩ [For E, E(BS)] CD/Line-in: 650mV, 47kΩ [For E, E(BS)] |
| Output Level and Load Impedance: | Headphones 8 to 100 Ω Speakers 2.8 to 8 Ω |
| Distortion: | 2% |
| Erasing Ratio: | 65dB |
| Fast Forwarding or Rewinding time: | TAPE 1: 120 sec TAPE 2: 150 sec |
| Motor: | DC motor |

DISASSEMBLY

1. How to remove the speaker box (Fig. 1)

Release one clip to the arrow direction and remove the speaker box by pulling upward. (both side)

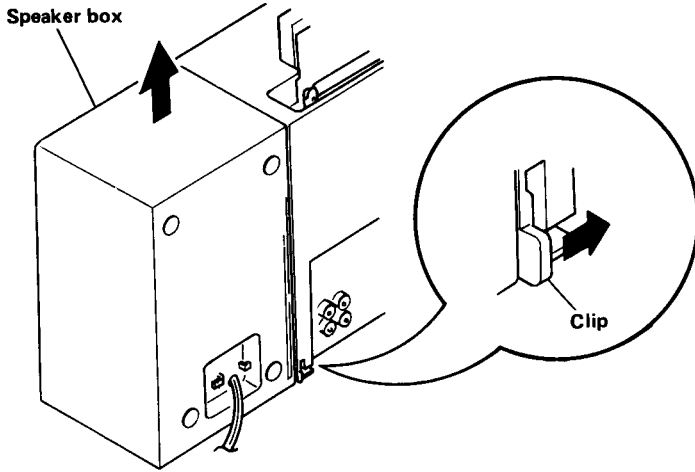


Fig.1

2. How to remove the Front panel (Fig. 2, 3)

Remove two screws ①, three screws ② and one screw (A) which is in the battery case. Then open the cassette doors and pull the front panel. (Screw (A) is except W, AU)

Note. Eight knobs come off together when pull the front panel.

● GENERAL SECTION

| | |
|---------------------------|---|
| Semiconductors: | ICs: 10 [For H, HC, W, AU] 11 [For E, E(BS)] |
| | Transistors: 23 [For H, HC, W, AU] 24 [For E, E(BS)] |
| | Diodes: 25 [For W, AU] 24 [Except W, AU] |
| | LEDs: 3 |
| Power Supply: | AC: 120 V, 60 Hz [For H, HC] AC: 220 V, 50 Hz [For E] AC: 240 V, 50 Hz [For E (BS), AU] AC: 110 - 127V/200 - 220V/230 - 250V, 50/60Hz [For W] DC: 15 V ("D" CELL (IEC R20)x 10 or equivalent) |
| Power Consumption: | 30 W [For W] 35 W [For H, HC] 45 W [For E, E(BS), AU] 60 W P.M.P. (AC operation) |
| Power Output: | [Except H, HC] 7.5 W/CH (10% T.H.D. DC operation) |
| Speakers: | Woofer: 12 cm, 2.8 Ω (X2) Tweeter: 2 cm, 500 Ω (X4) |
| Dimensions: | 642 (W) x 230 (H) x 188 (D) mm |
| Weight: | 8.0 kg (with batteries) |

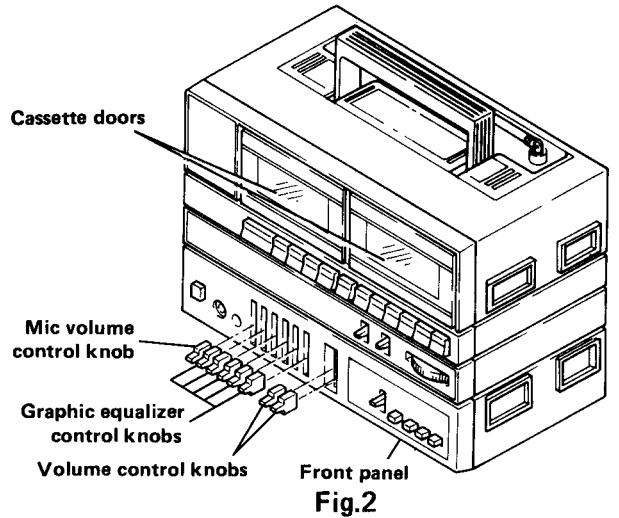


Fig.2

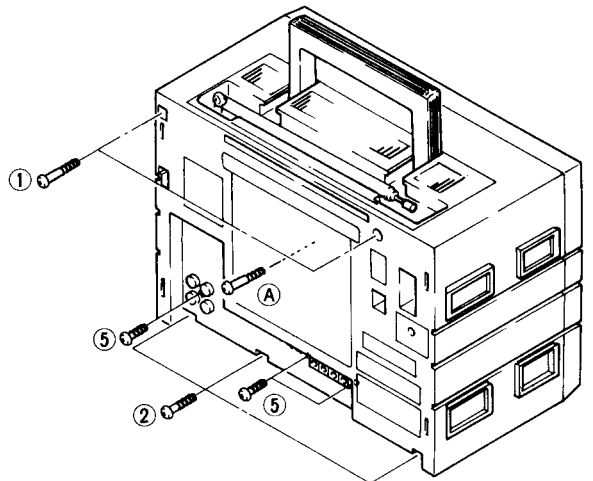


Fig.3

3. How to remove the Cassette Chassis (Fig. 4)

Remove five screws (3) and one screw (B).
(Screw (B) is for W, AU only)

4. How to remove the LED P.W.B. (Fig.4)

Pull the LED P.W.B. unit, then remove one connector.
Release two clips to the arrow direction.

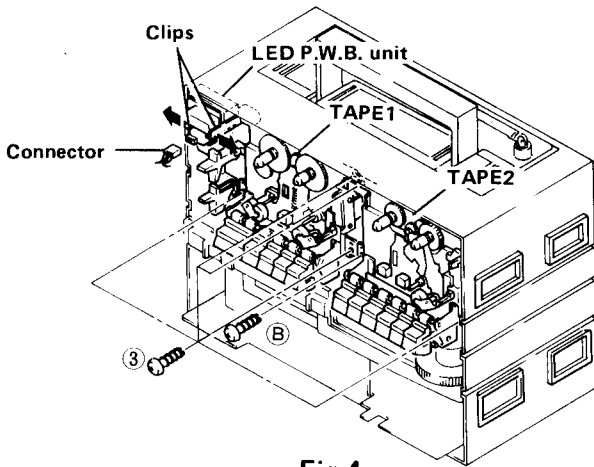


Fig.4

5. How to remove the VOLUME P.W.B. (Fig. 5)

Remove two screws (4).

6. How to remove the RADIO P.W.B. (Fig. 5)

Pull to the arrow direction, remove one connector and 1P plug.

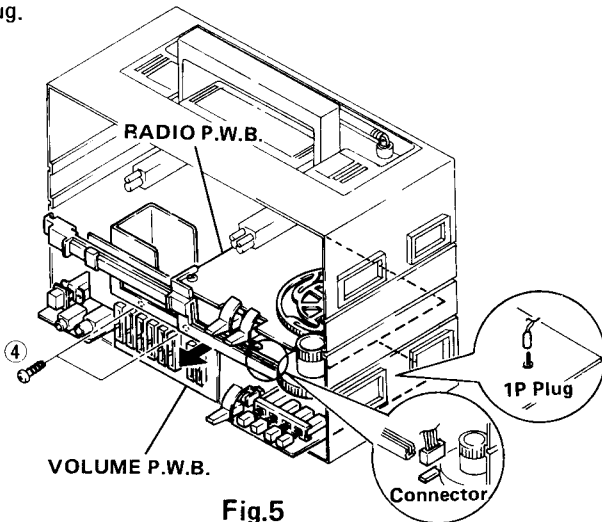


Fig.5

7. How to remove the MAIN P.W.B. (Fig. 3,6)

Remove three screws (5), push the elasticity clips, then move the REC lever to the top.

Pull the arrow direction, remove six connectors and 1P plug.

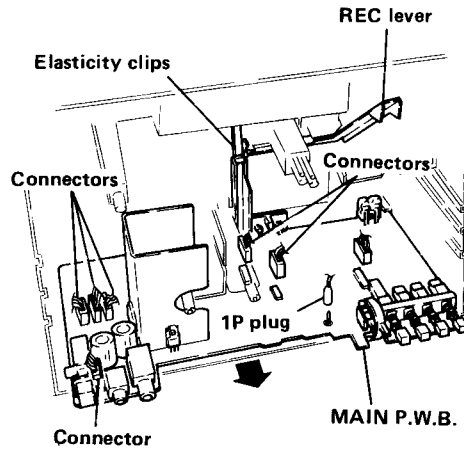


Fig.6

8. How to remove the POWER SUPPLY P.W.B. (Fig. 7)

Remove two screws (6), two screws (7), one screw (8) and one connector.

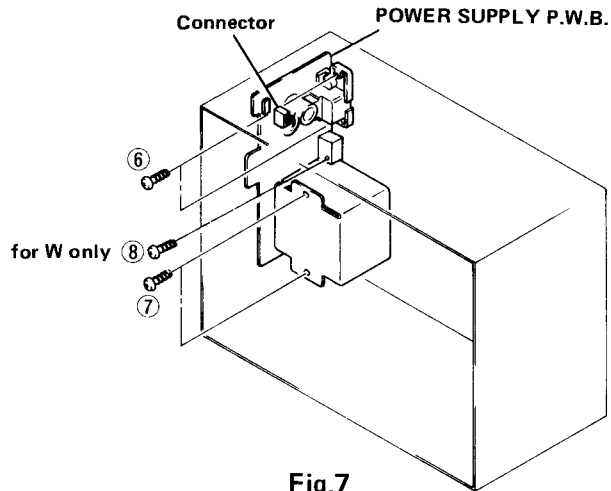


Fig.7

DIAL INDICATOR SETTING METHOD

Turn the Tuning knob clockwise and set the Dial indicator to setting point. Setting dial indicator, set this unit in the rear case.

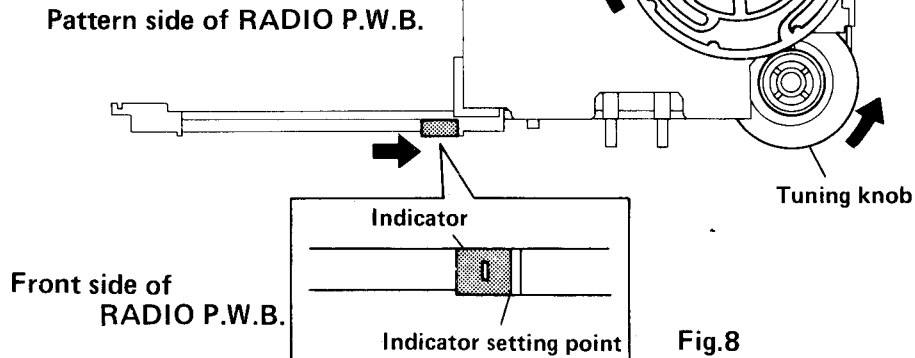


Fig.8

ADJUSTMENT

RADIO SECTION

RADIO P.W.B.

● Adjustment point

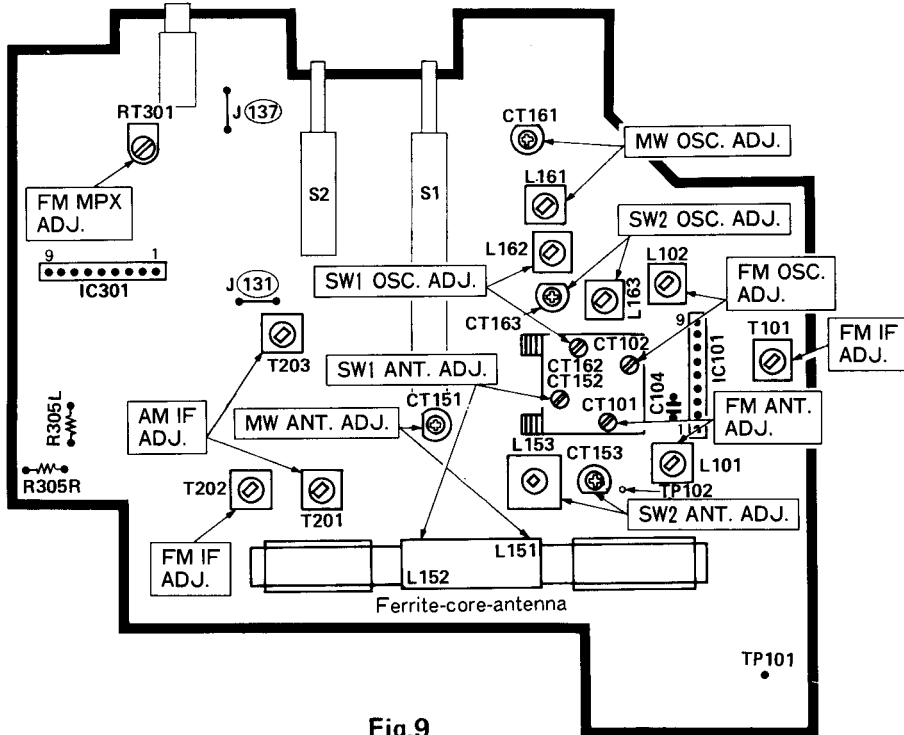


Fig.9

AM section for W, AU (FM/SW2/SW1/MW 4-band)

| Step | Adjustment Item | Measuring Instrument and Connection | | | Genescope or Signal Generator Frequency | Dial Pointer Position | Adjust | Reading |
|------|-------------------------|--|--|--|---|-----------------------|--------------|----------|
| | | Measuring Instrument | Input Terminal | Output Terminal | | | | |
| 1 | (1) AM IF | ● Genescope (455 kHz) | L 151 (MW position) | Jumper (131) (through the 100kΩ resistor and the 0.1 μF capacitor) | 455 kHz | Highest | T201 T203 | (Note 1) |
| | | | | Repeat steps (1) | | | | |
| 2 | (1) SW2 OSC. (Covering) | ● AM signal generator (400 Hz, 30% mod.) | TP101 (+) TP102 (-) (through SW dummy antenna) (Note 2) | R305R (or R305L) | 6.7 MHz | Lowest | L163 | Max. |
| | | | | | 23 MHz | Highest | CT163 | |
| | | | | | Repeat steps (1) and (2) | | | |
| 3 | (1) SW2 ANT. (Tracking) | ● VTVM ● Oscilloscope | | | 8 MHz | 8 MHz | L153 | Max. |
| | | | | | 20 MHz | 20 MHz | CT153 | |
| | | | | | Repeat steps (1) and (2) | | | |
| 4 | (1) SW1 OSC. (Covering) | ● AM signal generator (400 Hz, 30% mod.) | Ferrite-core antenna (Note 3) | R305R (or R305L) | 2.2 MHz | Lowest | L162 | Max. |
| | | | | | 7.3 MHz | Highest | CT162 | |
| | | | | | Repeat steps (1) and (2) | | | |
| 5 | (1) SW1 ANT. (Tracking) | ● VTVM ● Oscilloscope | | | 2.7 MHz | 2.7 MHz | L152 | Max. |
| | | | | | 6.3 MHz | 6.3 MHz | CT152 | |
| | | | | | Repeat steps (1) and (2) | | | |
| 6 | (1) MW OSC. (Covering) | ● AM signal generator (400 Hz, 30% mod.) | Ferrite-core antenna (Note 3) | R305R (or R305L) | 515 kHz | Lowest | L161 | Max. |
| | | | | | 1,650 kHz | Highest | CT161 | |
| | | | | | Repeat steps (1) and (2) | | | |
| 7 | (1) MW ANT. (Tracking) | ● VTVM ● Oscilloscope | | | 600 kHz | 600 kHz | L151 | Max. |
| | | | | | 1,400 kHz | 1,400 kHz | CT151 | |
| | | | | | Repeat steps (1) and (2) | | | |

RADIO P.W.B.

● Adjustment point

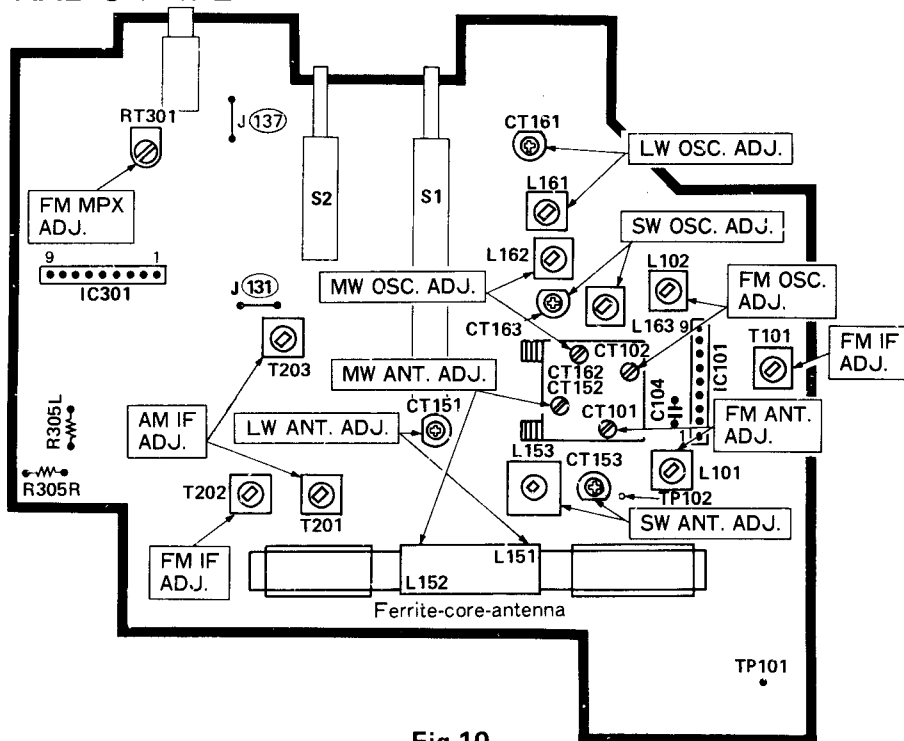


Fig.10

AM section for E, E(BS) (FM/SW/MW/LW 4-band)

| Step | Adjustment Item | Measuring Instrument and Connection | | | Genescope or Signal Generator Frequency | Dial Pointer Position | Adjust | Reading |
|------|--------------------|--|--|--|---|-----------------------|--------------|----------|
| | | Measuring Instrument | Input Terminal | Output Terminal | | | | |
| 1 | AM IF | ● Genescope (465 kHz) | L152 (MW position) | Jumper (131) (through the 100kΩ resistor and the 0.1 μF capacitor) | 465 kHz | Highest | T201 T203 | (Note 1) |
| | | | | Repeat steps (1) | | | | |
| 2 | SW OSC. (Covering) | ● AM signal generator (400 Hz, 30% mod.) | TP101 (+) TP102 (-) (through SW dummy antenna) (Note 2) | R305R (or R305L) | 5.8 MHz | Lowest | L163 | Max. |
| | | | | | 18.5 MHz | Highest | CT163 | |
| | | | | | Repeat steps (1) and (2) | | | |
| 3 | SW ANT. (Tracking) | ● VTVM ● Oscilloscope | | | 6.5 MHz | 6.5 MHz | L153 | Max. |
| | | | | | 16 MHz | 16 MHz | CT153 | |
| | | | | | Repeat steps (1) and (2) | | | |
| 4 | MW OSC. (Covering) | ● AM signal generator (400 Hz, 30% mod.) | Ferrite-core antenna (Note 3) | R305R (or R305L) | 515 kHz | Lowest | L162 | Max. |
| | | | | | 1,650 kHz | Highest | CT162 | |
| | | | | | Repeat steps (1) and (2) | | | |
| 5 | MW ANT. (Tracking) | ● VTVM ● Oscilloscope | | | 600 kHz | 600 kHz | L152 | Max. |
| | | | | | 1,400 kHz | 1,400 kHz | CT152 | |
| | | | | | Repeat steps (1) and (2) | | | |
| 6 | LW OSC. (Covering) | ● AM signal generator (400 Hz, 30% mod.) | Ferrite-core antenna (Note 3) | R305R (or R305L) | 145 kHz | Lowest | L161 | Max. |
| | | | | | 290 kHz | Highest | CT161 | |
| | | | | | Repeat steps (1) and (2) | | | |
| 7 | LW ANT. (Tracking) | ● VTVM (RIF switch:B) ● Oscilloscope | | | 160 kHz | 160 kHz | L151 | Max. |
| | | | | | 270 kHz | 270 kHz | CT151 | |
| | | | | | Repeat steps (1) and (2) | | | |

RADIO P.W.B.

● Adjustment point

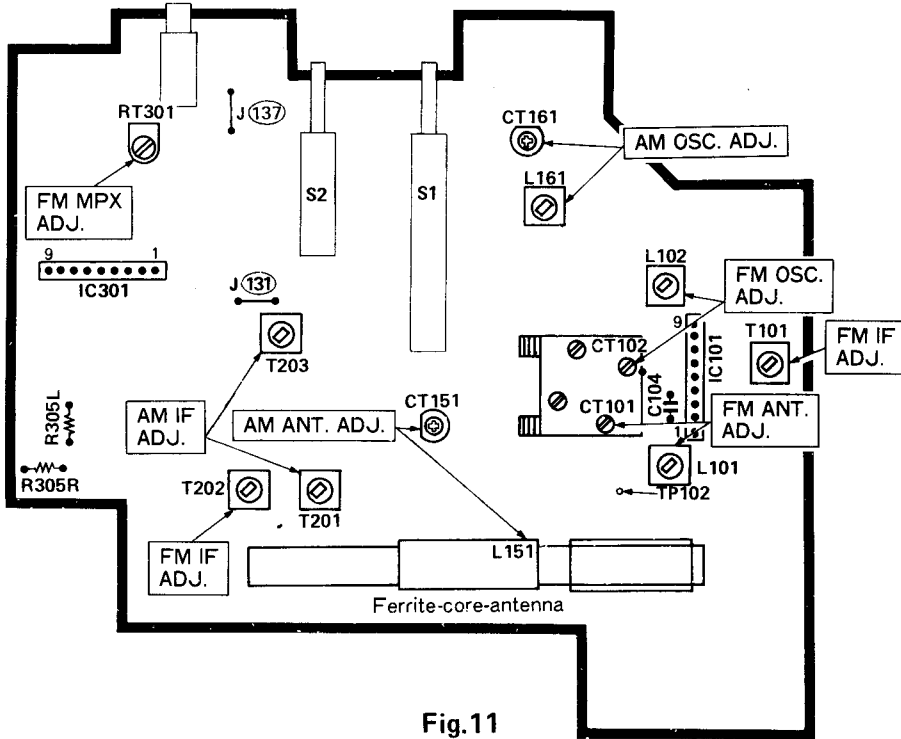


Fig.11

AM section for H, HC (FM/AM 2-band)

| Step | Adjustment Item | Measuring Instrument and Connection | | | Genescope or Signal Generator Frequency | Dial Pointer Position | Adjust | Reading |
|------|--------------------|--|-------------------------------|--|---|-----------------------|--------------|----------|
| | | Measuring Instrument | Input Terminal | Output Terminal | | | | |
| 1 | AM IF | ● Genescope (455 kHz) | L151 (AM position) | Jumper (131) (through the 100kΩ resistor and the 0.1 μF capacitor) | 455 kHz | Highest | T201 T203 | (Note 1) |
| | | | | Repeat steps (1) | | | | |
| 2 | AM OSC. (Covering) | ● AM signal generator (400 Hz, 30% mod.) | Ferrite-core antenna (Note 3) | R305R (or R305L) | 515 kHz | Lowest | L161 | Max. |
| | | | | | 1, 650 kHz | Highest | CT161 | |
| | | | | | Repeat steps (1) and (2) | | | |
| 3 | AM ANT. (Tracking) | ● VTVM ● Oscilloscope | Ferrite-core antenna (Note 3) | R305R (or R305L) | 600 kHz | 600 kHz | L151 | Max. |
| | | | | | 1, 400 kHz | 1,400 kHz | CT151 | |
| | | | | | Repeat steps (1) and (2) | | | |

FM section

*() For W. Germany

| Step | Adjustment Item | Measuring Instrument and Connection | | | Genescope or Signal Generator Frequency | Dial Pointer Position | Adjust | Reading | |
|----------------------------------|------------------------|---|--|-----------------|---|--------------------------|---------|----------|-----------------------------|
| | | Measuring Instrument | Input Terminal | Output Terminal | | | | | |
| 1 | (1) FM IF | ● Genescope (10.7 MHz) (MODE select switch : MONO) | C104 body (+) | TP102 (-) | 10.7 MHz | Highest | T101 | (Note 4) | |
| | (2) S-Curve | | | | | | T202 | (Note 5) | |
| Turn T202 fully counterclockwise | | | | | | | | | |
| 2 | (1) FM OSC (Covering) | ● FM signal generator (400 Hz, 30% dev.) ● Oscilloscope ● VTVM (MODE select switch: MONO) | TP101 (+) | TP102 (-) | R305R (or R305L) | 87 MHz *(87.5 MHz) | Lowest | L102 | Max. |
| | (2) | | | | | 109 MHz *(108 MHz) | Highest | CT102 | |
| | (3) | | | | | Repeat steps (1) and (2) | | | |
| 3 | (1) FM ANT (Tracking) | ● Oscilloscope ● VTVM (MODE select switch: MONO) | TP101 (+) | TP102 (-) | R305R (or R305L) | 90 MHz | 90 MHz | L101 | Max. |
| | (2) | | | | | 106 MHz | 106 MHz | CT101 | |
| | (3) | | | | | Repeat steps (1) and (2) | | | |
| 4 | (1) FM MPX (Multiplex) | ● Frequency counter (MODE select switch: STEREO) | Connect a 10 μ F/25V electrolytic capacitor between the NO. 1 pin of IC301 and GND | | Jumper (137) | - | - | RT301 | 38 kHz \pm 50 Hz (Note 7) |

Note:

1. Feed in a weak signal from the genescope. Adjust T201, T203 for maximum gain and the waveform of Fig. 12.

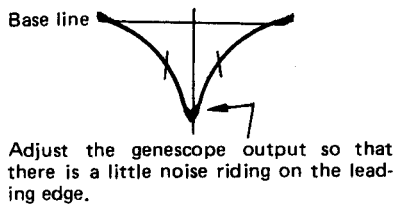


Fig. 12

2. SW dummy antenna shows Fig. 13.

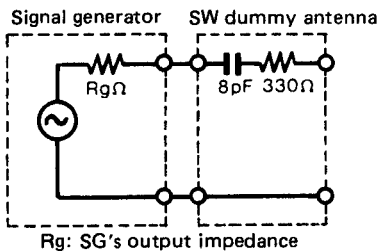


Fig. 13

3. Connect AM signal generator to loop antenna, bring near to ferrite antenna.

4. Feed in a weak signal to C104 (body) from the genescope. Adjust T101 for maximum gain and the waveform indicated in Fig.14. If the center of the waveform cannot be lined up on the marker, adjust the right /left balance.

Adjust the genescope output so that there is a little noise riding on the leading edge.

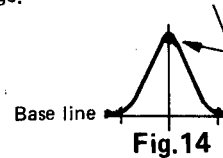


Fig. 14

5. Use the T202 core to from the S-curve shown in Fig. 15. Adjust the symmetry of A and B about point C for linearity.

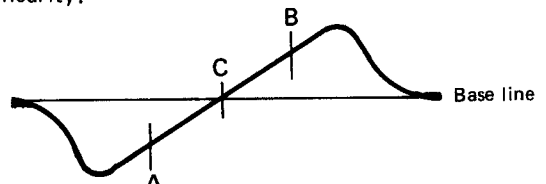


Fig. 15

6. FM dummy antenna shows Fig. 16.

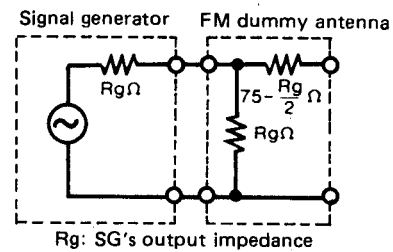


Fig. 16

7. Connect the frequency counter to jumper (137) and connect a 220 Ohm resistor parallel with the frequency counter. (MODE select switch: STEREO)

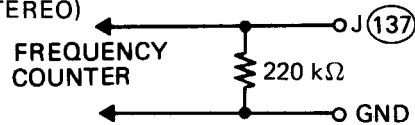


Fig. 17

2. TAPE RECORDER SECTION

● Adjustment point

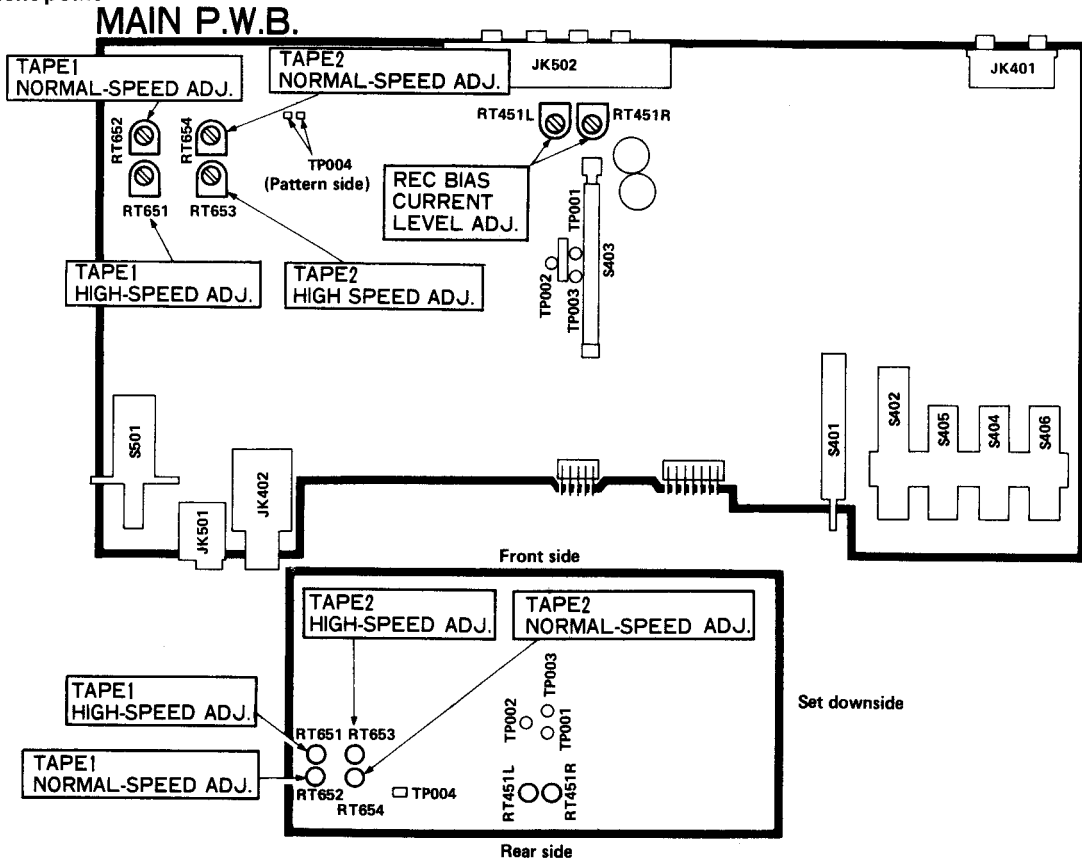


Fig.18

Make the following adjustments after opening the cassette door and cleaning the head, pressure rollers, and capstans with a head cleaning stick moistened in alcohol.

Note: Upright the unit and make adjustment from the bottom surface.

1. TAPE 2 Section (Record/playback)

(1) Adjustment of tape speed

| Adjustment tape | Adjustment value | Adjustment point |
|----------------------------|--------------------|------------------------------|
| Tape speed adjustment tape | 6,000 Hz ±20 Hz | RT653 (High speed mode) |
| | 3,000 Hz ±10 Hz | RT654 (Normal speed mode) |

Adjustment Procedure

Connect the frequency counter to the SP OUT terminals and short TP004 to set to the High speed mode. Playback the adjustment tape and adjust RT653 so that the reading of frequency counter would be 6,000 Hz ± 20 Hz.

Then, open TP004 to set to the Normal speed mode. Playback the adjustment tape and adjust RT654 so that the reading of frequency counter would be 3,000 Hz ± 10 Hz. Make adjustment at the middle of tape after applying heat-run for 20 minutes or more.

Note: Be sure to make adjustment in order of High speed and Normal speed modes.

(2) Azimuth Adjustment of Recording/Playback Head

| Adjustment tape | Adjustment Value | Adjustment point |
|---|------------------|--------------------------|
| Azimuth alignment tape (10 kHz or more) | Maximum output | Azimuth adjustment screw |

Adjustment Procedure

Connect the electronic voltmeter to the SP OUT terminals, playback the alignment tape, and make adjustment. If the maximum values of both channels differ, set to the maximum value of L channel and check that the difference between the maximum values of both channels is within 2 dB. If the difference is larger, make readjustment. After the adjustment, fix the screw with Screw Lock.

(3) REC Bias Current Level Adjustment

| Input | Adjustment value | Adjustment point |
|-------|------------------|------------------|
| — | 29 V ± 0.5V | RT451LR |

Adjustment Procedure

Set the RIF switch (S2) to the A position and the tape select switch (S404) of TAPE 2 to the METAL position. Connect the "+" terminal of electronic voltmeter to TP001 (Lch) or TP003 (Rch) and the "-" terminal to TP002, and adjust RT451LR so that the reading of voltmeter would be $29\text{ V} \pm 0.5\text{V}$.

Note: The cables should be run parallel to each other. Do not use cables which are longer than required.

2. TAPE 1 Section (Playback)

(1) Adjustment of tape speed

| Adjustment tape | Adjustment value | Adjustment point |
|----------------------------|------------------------------------|------------------------------|
| Tape speed adjustment tape | $6,020\text{ Hz} \pm 20\text{ Hz}$ | RT651 (High speed mode) |
| | $3,010\text{ Hz} \pm 10\text{ Hz}$ | RT652 (Normal speed mode) |

Adjustment Procedure

Connect the frequency counter to the SP OUT terminals and short TP004 to set to the High speed mode. Playback the adjustment tape in the forward direction and adjust RT651 so that the reading of frequency counter would be $6,020\text{ Hz} \pm 20\text{ Hz}$. Then, playback the tape in the reverse direction and check if the reading is $6,000\text{ Hz} \pm 40\text{ Hz}$. If the reading is outside the range of adjustment value, make readjustment so that the reading would be $5,960\text{ Hz}$ to $6,050\text{ Hz}$ both in the forward and reverse directions.

Open TP004 to set to the Normal speed mode. As in the case of High speed mode, playback the adjustment tape in the forward direction and adjust RT652 so that the reading would be $3,010\text{ Hz} \pm 10\text{ Hz}$. Playback the tape in the reverse direction and check if the reading is $3,000\text{ Hz} \pm 20\text{ Hz}$. If the reading is outside the range of adjustment value, make readjustment so that the reading would be $2,980\text{ Hz}$ to $3,025\text{ Hz}$ both in the forward and reverse directions.

Note: Set TAPE 1 and TAPE 2 to the same speed as much as possible.

(2) Azimuth Adjustment of Palyback Head

| Adjustment tape | Adjustment value | Adjustment point |
|---|------------------|--------------------------|
| Azimuth alignment tape (10 kHz or more) | Maximum output | Azimuth adjustment screw |

Adjustment Procedure

Like the TAPE 2 section, make adjustment so that the difference between the maximum values of both channels would be within 2 dB. Check that the adjustment value is also satisfied in the reverse direction.

3. Cassette Chassis Checking and Adjustment

| No. | Inspection Item | Reference Value | Remarks |
|-----|--------------------------------------|--|-------------------------------------|
| 1. | Pressure roller compression strength | TAPE 1 270 - 420 g TAPE 2 300 - 500 g | (Note 1) Tension gage |
| 2. | Playback torque | TAPE 1 35 - 70 g TAPE 2 30 - 60 g | Cassettepack system Torque meter |
| 3. | FF/REW torque | 80 g | Cassettepack system Torque meter |
| 4. | Take up back-tension | TAPE 1 1.5 - 6.0 g-cm TAPE 2 2.0 - 6.0 g-cm | Cassettepack system Torque meter |
| 5. | Tape drive force | TAPE 1 100 g-min TAPE 2 120 g-min | |
| 6. | Axial play of flywheel | 0.05 - 0.5 mm | |

Note 1 Pressure roller compression strength

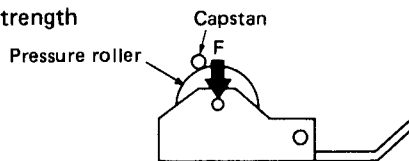


Fig. 19

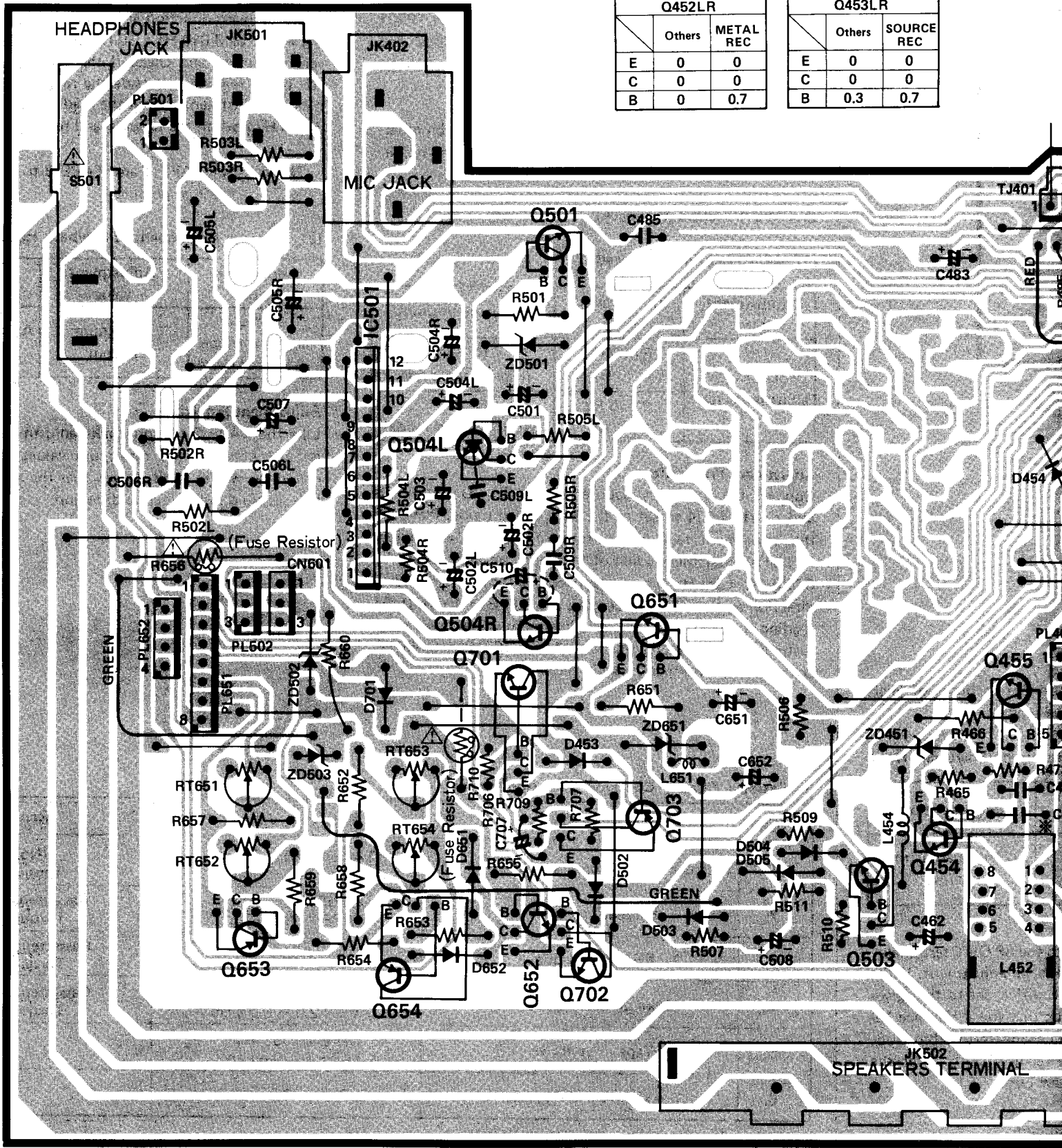
* indicates axial lead cylindrical ceramic capacitor.

MAIN P.W.B.

S501 OPERATE SWITCH

| Q452LR | | |
|--------|--------|-----------|
| | Others | METAL REC |
| E | 0 | 0 |
| C | 0 | 0 |
| B | 0 | 0.7 |

| Q453LR | | |
|--------|--------|------------|
| | Others | SOURCE REC |
| E | 0 | 0 |
| C | 0 | 0 |
| B | 0.3 | 0.7 |



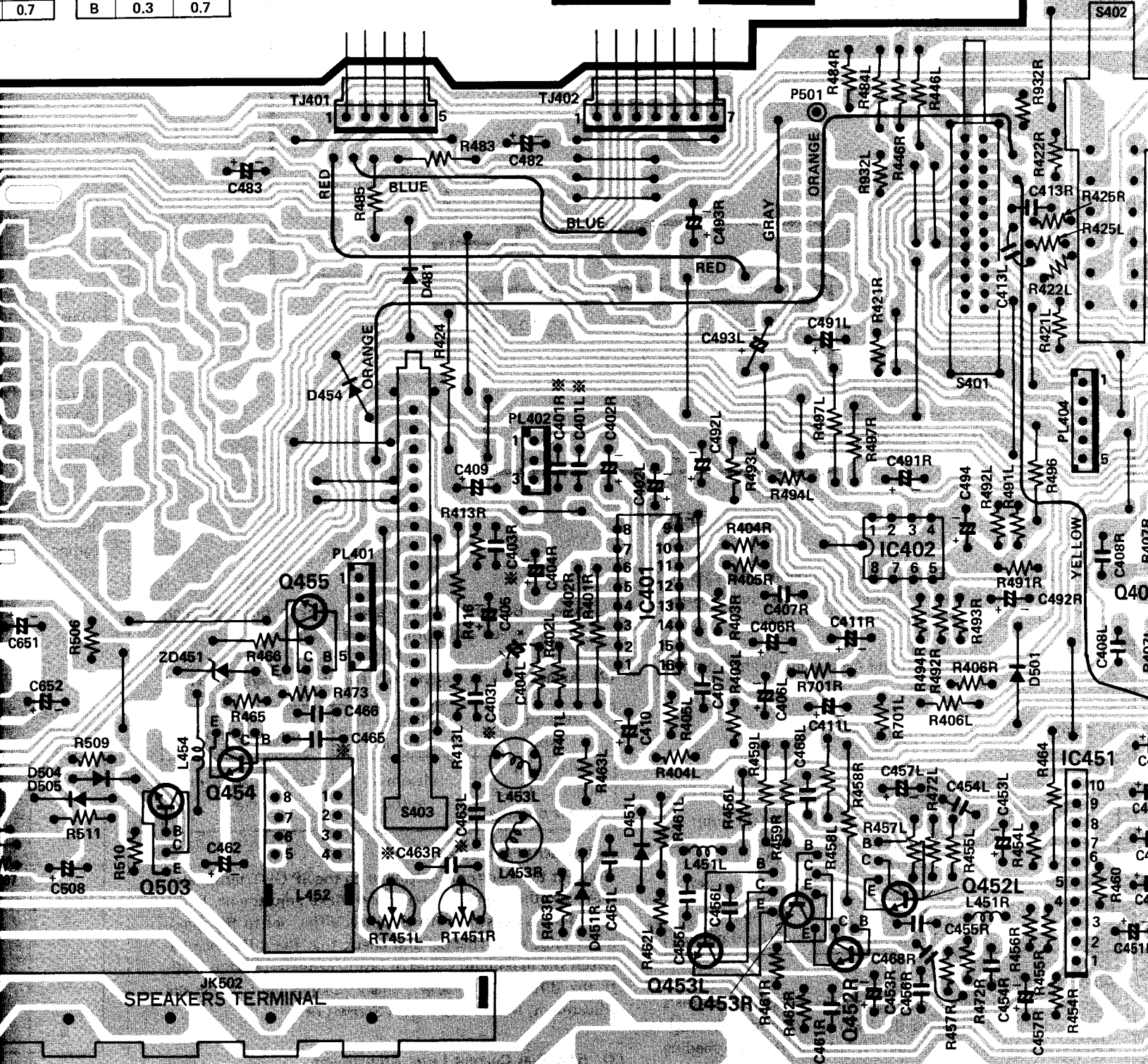
ceramic capacitor.

| METAL REC |
|-----------|
| 0 |
| 0 |
| 0.7 |

| Q453LR | | |
|--------|------------|-----|
| Others | SOURCE REC | REC |
| E | 0 | 0 |
| C | 0 | 0 |
| B | 0.3 | 0.7 |

S403
REC/PLAY
SELECT
SWITCH

S401
FUNCTION
SELECT
SWITCH



| | E | C | B |
|------|-----|------|-----|
| Q501 | 8.7 | 16.0 | 9.4 |
| Q503 | 0 | 0 | 0.6 |
| Q504 | 0 | 0 | 0 |

| Q401LR | | |
|--------|-------|-----|
| Others | METAL | |
| E | 0 | 0 |
| C | 0 | 0 |
| B | 0 | 0.6 |

| Q403LR | | |
|--------|------|-----|
| Others | SPSS | |
| E | 0 | 0 |
| C | 0 | 0 |
| B | 0 | 0.7 |

| Q701 | | |
|--------|---------|-----|
| Others | T1 PLAY | |
| E | 0 | 0 |
| C | 0 | 0 |
| B | 0.3 | 0.7 |

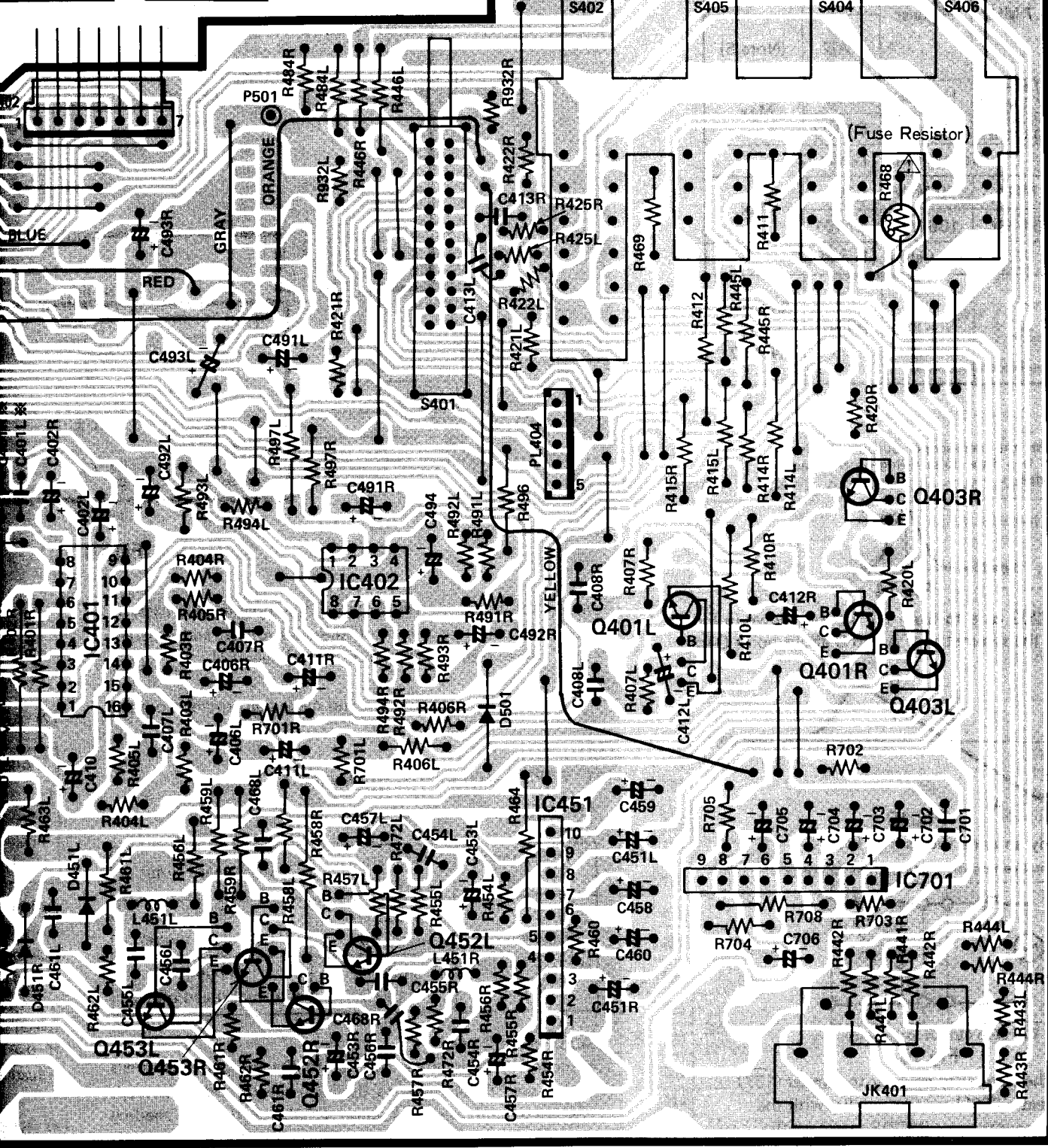
| Q402LR | | |
|--------|-------|-----|
| Others | METAL | |
| E | 0 | 0 |
| C | 0 | 0 |
| B | 0 | 0.6 |

S403

REC/PLAY
SELECT
SWITCH

S401

FUNCTION
SELECT
SWITCH



S402

REC MODE
SELECT
SWITCH

S405

TAPE1
TAPE SELE
SWITCH

S404

TAPE2
TAPE SELE
SWITCH

S406

REC MUTE
SWITCH

RT451LR
REC BIAS
CURRENT
LEVEL ADJ

RT651

TAPE1
HIGH-SPEED
ADJ.

RT652

TAPE1
NORMAL-SF
ADJ.

RT653

TAPE2
HIGH-SPEED
ADJ.

RT654

TAPE2
NORMAL-SF
ADJ.

RIF SWITCH (AM MODE) A

| | | |
|------|---|-----|
| Q454 | E | () |
| | C | 0 |
| | B | 0 |
| Q455 | E | () |
| | C | 0 |
| | B | 0 |

| | |
|------|--------------|
| | E |
| Q651 | 12.2 |
| Q652 | 0 (0) |
| Q653 | 8.2 (4.9) |
| Q654 | 8.4 (5.2) |

(): HIGH SPEED
Voltage is measu

CD PHONO/LINE
INPUT

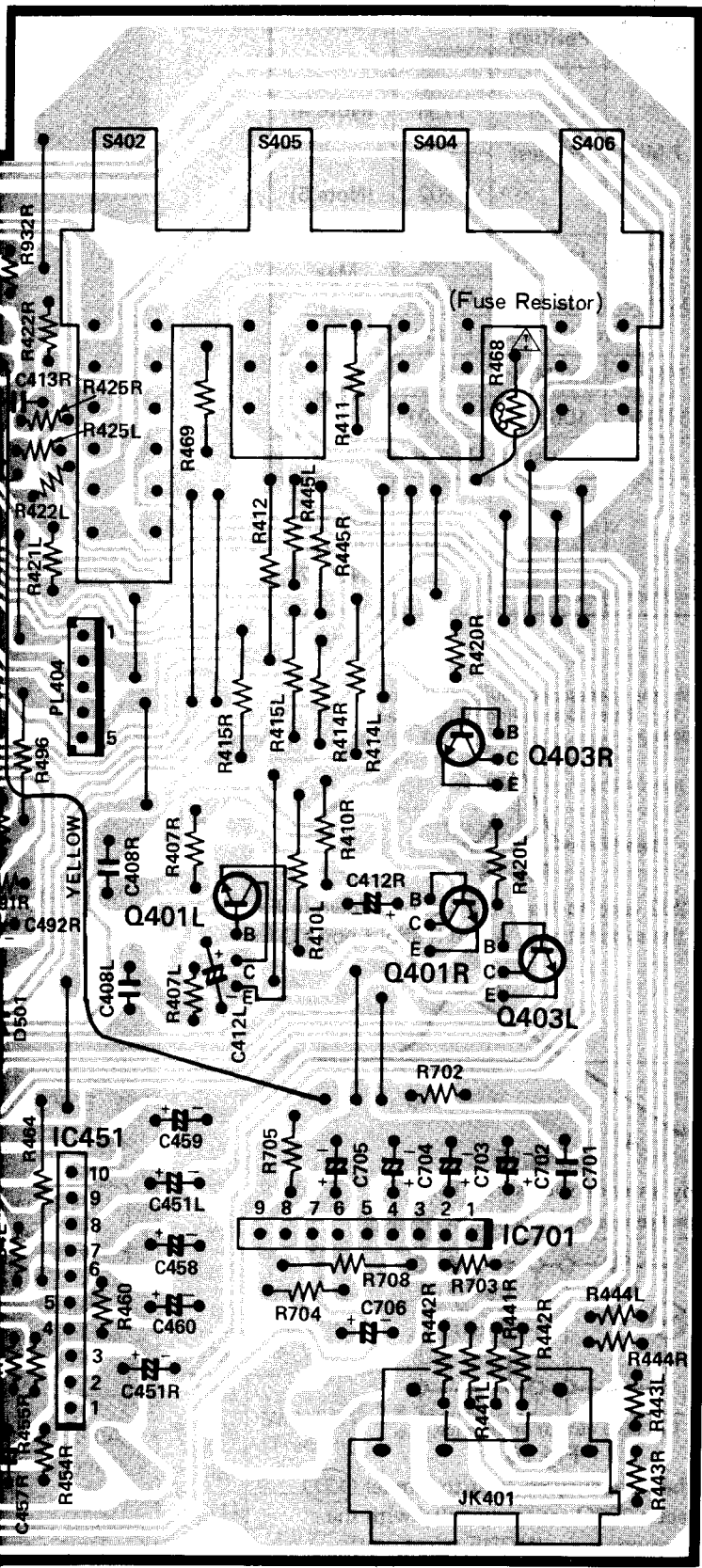
| | |
|---|-----|
| B | 9.4 |
| | 0.6 |
| | 0 |

| | | |
|--------|--------|-------|
| Q401LR | | |
| | Others | METAL |
| E | 0 | 0 |
| C | 0 | 0 |
| B | 0 | 0.6 |

| | | |
|--------|--------|------|
| Q403LR | | |
| | Others | SPSS |
| E | 0 | 0 |
| C | 0 | 0 |
| B | 0 | 0.7 |

| | | |
|------|--------|---------|
| Q701 | | |
| | Others | T1 PLAY |
| E | 0 | 0 |
| C | 0 | 0 |
| B | 0.3 | 0.7 |

| | | |
|------|--------|------|
| Q702 | | |
| | Others | SPSS |
| E | 0 | 0 |
| C | 12.2 | 0.5 |
| B | 0.2 | 0.8 |



CD PHONO/LINE INPUT

| Q701 | |
|--------|---------|
| Others | T1 PLAY |
| 0 | 0 |
| 0 | 0 |
| 0.3 | 0.7 |

| Q702 | |
|--------|------|
| Others | SPSS |
| E | 0 |
| C | 12.2 |
| B | 0.2 |

S402
REC MODE SELECT SWITCH

S405
TAPE1 TAPE SELECT SWITCH

S404
TAPE2 TAPE SELECT SWITCH

S406
REC MUTE SWITCH

RT451LR
REC BIAS CURRENT LEVEL ADJ.

RT651
TAPE1 HIGH-SPEED ADJ.

RT652
TAPE1 NORMAL-SPEED ADJ.

RT653
TAPE2 HIGH-SPEED ADJ.

RT654
TAPE2 NORMAL-SPEED ADJ.

| RIF SWITCH (AM MODE) | A/C | B | D |
|----------------------|-----|-----|-----|
| | E | 0 | 0 |
| Q454 | C | 0 | 0 |
| | B | 0.7 | 0.2 |
| | E | 0 | 0 |
| Q455 | C | 0 | 0 |
| | B | 0.8 | 0.7 |

| | E | C | B |
|------|-------|--------|-------|
| Q651 | 12.2 | 16.0 | 12.8 |
| Q652 | 0 | 0 | 0.7 |
| | (0) | (9.0) | (0.2) |
| Q653 | 8.2 | 8.2 | 7.5 |
| | (4.9) | (10.1) | (9.5) |
| Q654 | 8.4 | 8.4 | 7.7 |
| | (5.2) | (10.2) | (9.7) |

() : HIGH SPEED DUBBING MODE

Voltage is measured at no signal

| Pin No. | IC401 |
|---------|-------|
| 1 | 3.2 |
| 2 | 3.2 |
| 3 | 7.8 |
| 4 | 0 |
| 5 | 3.2 |
| 6 | 3.2 |
| 7 | 0 |
| 8 | 1.3 |
| | (2.7) |
| 9 | 0 |
| 10 | 0 |
| 11 | 0 |
| 12 | 3.2 |
| 13 | 3.2 |
| 14 | 3.2 |
| 15 | 3.2 |
| 16 | 3.2 |

() : T1 PLAY
T2 REC

| Q703 | | |
|--------|------|-----------|
| Others | SPSS | T1 FF/REW |
| 0 | 8.7 | 8.7 |
| 0 | 8.7 | 0 |
| 0 | 8.0 | 8.7 |

| Pin No. | IC501 |
|---------|-------|
| 1 | 1.2 |
| 2 | 0 |
| 3 | 20 |
| 4 | 0 |
| 5 | 0 |
| 6 | 1.2 |
| 7 | 10.4 |
| 8 | 18.9 |
| 9 | 0 |
| 10 | 20.2 |
| 11 | 18.2 |
| 12 | 10.4 |

| Pin No. | IC402 |
|---------|-------|
| 1 | 4.5 |
| 2 | 4.5 |
| 3 | 4.5 |
| 4 | 0 |
| 5 | 4.5 |
| 6 | 4.5 |
| 7 | 4.5 |
| 8 | 8.2 |

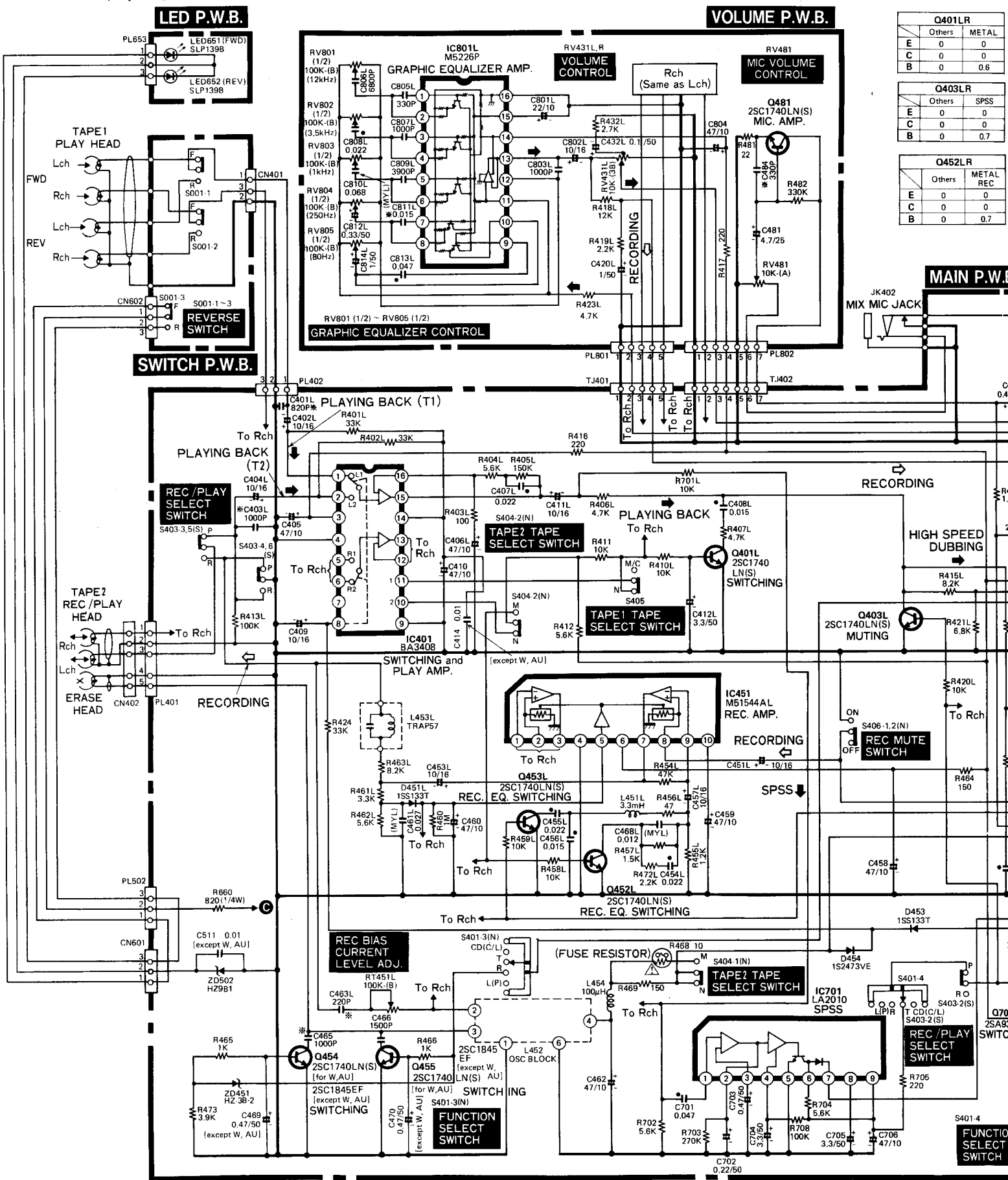
| Pin No. | IC451 |
|---------|-------|
| 1 | 1.2 |
| 2 | 0 |
| 3 | 4.1 |
| 4 | 0 |
| 5 | 0 |
| 6 | 8.0 |
| 7 | 4.1 |
| 8 | 0 |
| 9 | 1.2 |
| 10 | 7.0 |

| Pin No. | IC701 |
|---------|--------|
| 1 | 0(2.0) |
| 2 | 0(0) |
| 3 | 0(2.0) |
| 4 | 0(0) |
| 5 | 0(0) |
| 6 | 0(1.5) |
| 7 | 0(0.7) |
| 8 | 0(0.1) |
| 9 | 0(7.5) |

() : SPSS

| | |
|--|--|
| AN7147 | |
| BA3408 M5226P TA7640AP | |
| AN7310 AN7420 LA2010 TA7358P | |
| M51544AL | |
| M5218P μPC4558C | |
| 2SA933(R) 2SC460C 2SC1740L(S) 2SC1741QR 2SC1845EF | |
| 2SD1266(P) | |
| HIT9011H | |
| 1S133T | |
| 1S2473VE 1S2790 HZ-3B-2 HZ-9A3 HZ9B1 HZ9C1 HZ12-B1 | |
| ERB12-01 | |
| S4VB20 | |

☆ indicates those parts that are specified to be used differently for models and destinations
 ● for W,AU: Myler Film capacitor except W,AU: Ceramic Disc capacitor



| Q401LR | | |
|--------|-------|-----|
| Others | METAL | |
| E | 0 | 0 |
| C | 0 | 0 |
| B | 0 | 0.6 |

| Q403LR | | |
|--------|------|-----|
| Others | SPSS | |
| E | 0 | 0 |
| C | 0 | 0 |
| B | 0 | 0.7 |

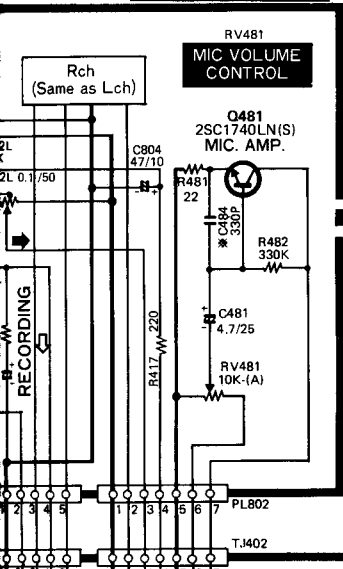
| Q452LR | | |
|--------|-----------|-----|
| Others | METAL REC | |
| E | 0 | 0 |
| C | 0 | 0 |
| B | 0 | 0.7 |

capacitor.

modified to be used differently for models and destination. (See the table in the drawing.)

except W,AU: Ceramic Discal capacitor

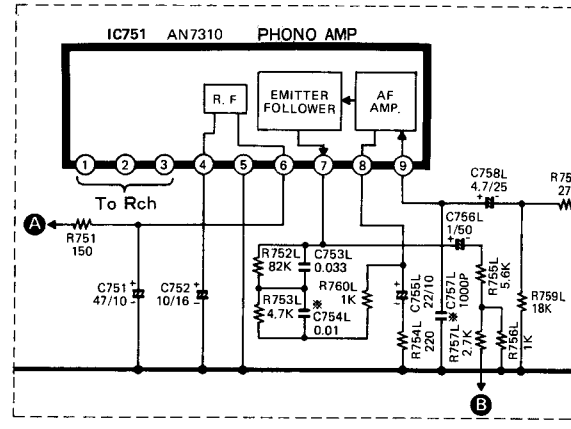
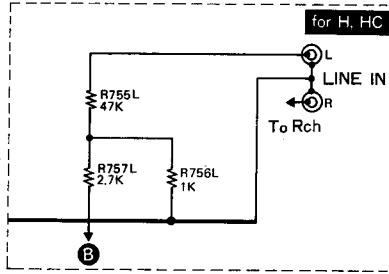
VOLUME P.W.B.



| Q401LR | | |
|--------|-------|-----|
| Others | METAL | |
| E | 0 | 0 |
| C | 0 | 0 |
| B | 0 | 0.6 |

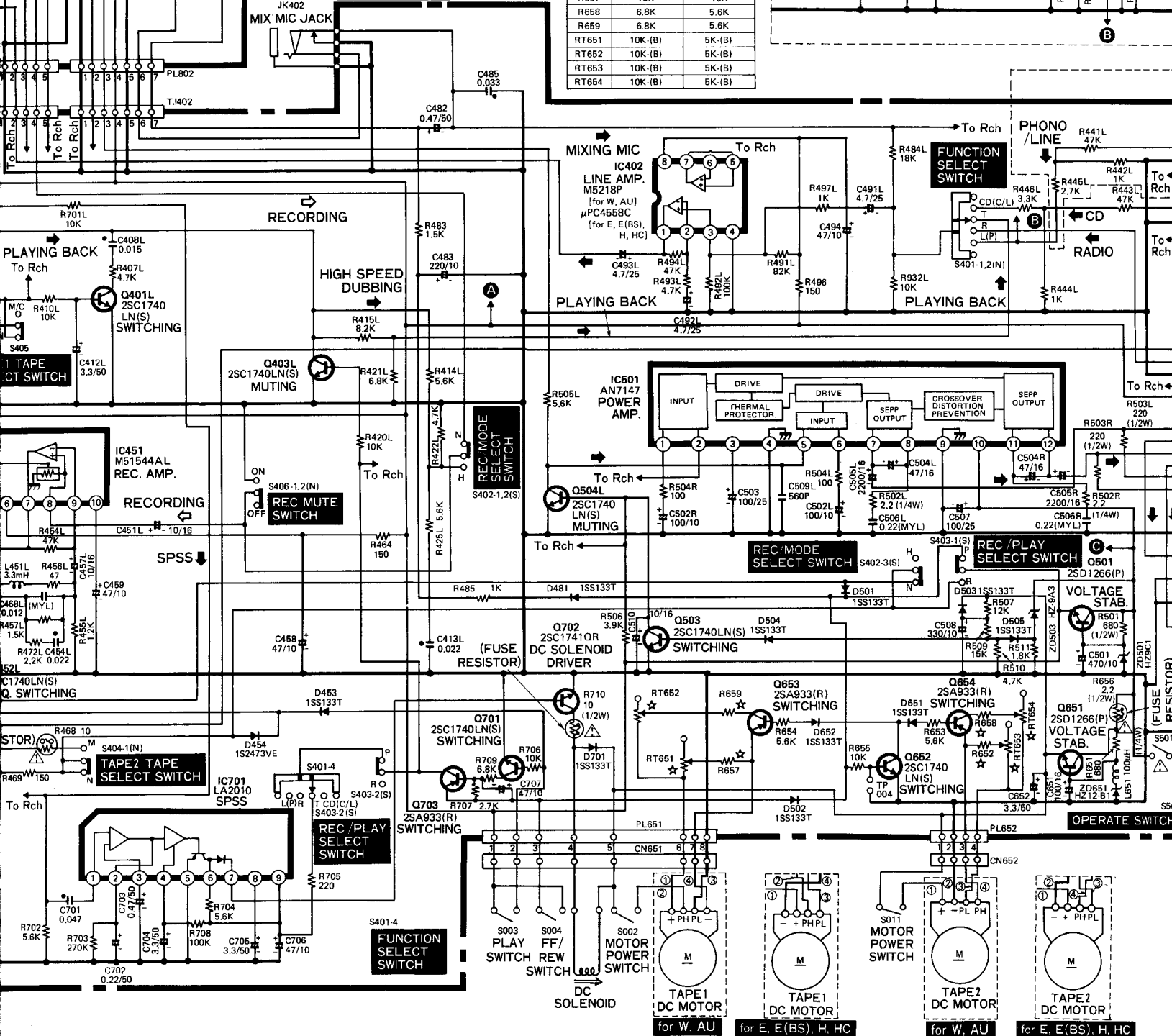
| Q403LR | | |
|--------|------|-----|
| Others | SPSS | |
| E | 0 | 0 |
| C | 0 | 0 |
| B | 0 | 0.7 |

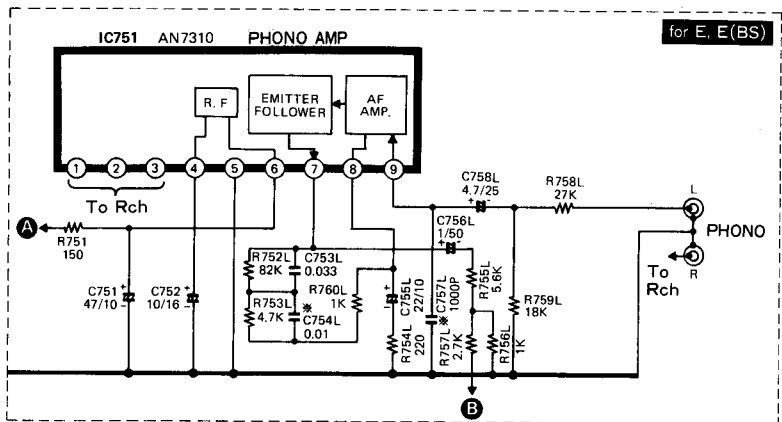
| Q452LR | | |
|--------|-----------|-----|
| Others | METAL REC | |
| E | 0 | 0 |
| C | 0 | 0 |
| B | 0 | 0.7 |



| *No. | for W,AU | except W,AU |
|-------|----------|-------------|
| R652 | 15K | 10K |
| R657 | 15K | 10K |
| R658 | 6.8K | 5.6K |
| R659 | 6.8K | 5.6K |
| RT651 | 10K(-B) | 5K(-B) |
| RT652 | 10K(-B) | 5K(-B) |
| RT653 | 10K(-B) | 5K(-B) |
| RT654 | 10K(-B) | 5K(-B) |

MAIN P.W.B.





for E, E(BS)

Voltage is measured at no signal

| | Q453LR | |
|---|--------|------------|
| | Others | SOURCE REC |
| E | 0 | 0 |
| C | 0 | 0 |
| B | 0.3 | 0.7 |

| | Q481 | |
|---|--------|--------------------|
| | Others | HIGH SPEED DUBBING |
| E | 0 | 0 |
| C | 2.5 | 0 |
| B | 0.7 | 0 |

| Pin No. | IC801 | |
|---------|-------|-----|
| | L | R |
| 1 | 3.7 | 3.7 |
| 2 | 3.0 | 3.0 |
| 3 | 3.7 | 3.7 |
| 4 | 3.0 | 3.0 |
| 5 | 3.7 | 3.7 |
| 6 | 3.0 | 3.0 |
| 7 | 3.7 | 3.7 |
| 8 | 3.0 | 3.0 |
| 9 | 3.7 | 3.7 |
| 10 | 3.0 | 3.0 |
| 11 | 3.7 | 3.7 |
| 12 | 3.7 | 3.7 |
| 13 | 3.7 | 3.7 |
| 14 | 6.9 | 6.9 |
| 15 | 3.7 | 3.7 |
| 16 | 0 | 0 |

| Pin No. | IC401 | | |
|---------|--------|---------|--------|
| | Others | T1 PLAY | T2 REC |
| 1 | 3.2 | 3.2 | |
| 2 | 3.2 | 3.2 | |
| 3 | 7.8 | 7.8 | |
| 4 | 0 | 0 | |
| 5 | 3.2 | 3.2 | |
| 6 | 3.2 | 3.2 | |
| 7 | 0 | 0 | |
| 8 | 1.3 | 2.7 | |
| 9 | 0 | 0 | |
| 10 | 0 | 0 | |
| 11 | 0 | 0 | |
| 12 | 3.2 | 3.2 | |
| 13 | 3.2 | 3.2 | |
| 14 | 3.2 | 3.2 | |
| 15 | 3.2 | 3.2 | |
| 16 | 3.2 | 3.2 | |

| Pin No. | IC402 | | | IC451 | | | IC501 | | |
|---------|-------|-----|------|-------|--|--|-------|--|--|
| | | | | | | | | | |
| 1 | 4.5 | 1.2 | 1.2 | | | | | | |
| 2 | 4.5 | 0 | 0 | | | | | | |
| 3 | 4.5 | 4.1 | 20.0 | | | | | | |
| 4 | 0 | 0 | 0 | | | | | | |
| 5 | 4.5 | 0 | 0 | | | | | | |
| 6 | 4.5 | 8.0 | 1.2 | | | | | | |
| 7 | 4.5 | 4.1 | 10.4 | | | | | | |
| 8 | 8.2 | 0 | 18.9 | | | | | | |
| 9 | | 1.2 | 0 | | | | | | |
| 10 | | 7.0 | 20.2 | | | | | | |
| 11 | | | 18.2 | | | | | | |
| 12 | | | 10.4 | | | | | | |

| Pin No. | IC701 | | |
|---------|--------|------|--|
| | Others | SPSS | |
| 1 | 0 | 2.0 | |
| 2 | 0 | 0 | |
| 3 | 0 | 2.0 | |
| 4 | 0 | 0 | |
| 5 | 0 | 0 | |
| 6 | 0 | 1.5 | |
| 7 | 0 | 0.7 | |
| 8 | 0 | 0.1 | |
| 9 | 0 | 7.5 | |

| RIF SWITCH (AM MODE) | Q454 | | | | Q455 | | | |
|----------------------|------|---|-----|--|------|--|--|--|
| | A/C | B | D | | | | | |
| E | 0 | 0 | 0 | | | | | |
| C | 0 | 0 | 0 | | | | | |
| B | 0.7 | 0 | 0.2 | | | | | |
| E | 0 | 0 | 0 | | | | | |
| C | 0 | 0 | 0 | | | | | |
| B | 0.8 | 0 | 0.7 | | | | | |

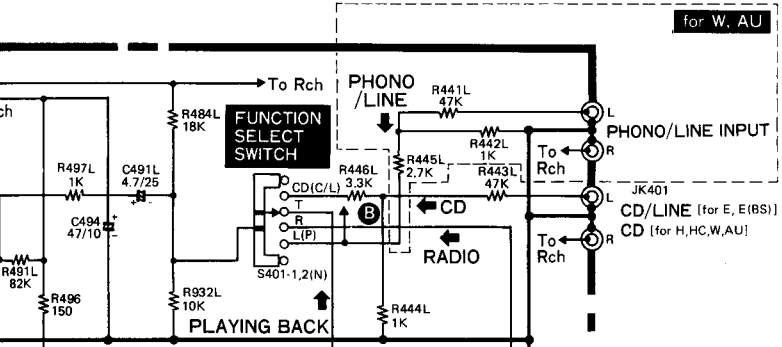
| | Q501 | | | Q503 | | | Q504LR | | |
|---|------|------|-----|------|---|---|--------|---|---|
| | E | C | B | E | C | B | E | C | B |
| E | 8.7 | 16.0 | 9.4 | | | | | | |
| C | 0 | 0 | 0.6 | | | | | | |
| B | 0 | 0 | 0 | | | | | | |

| | Q651 | | | Q652 | | | Q653 | | | Q654 | | |
|---|------|------|------|-------|--------|-------|------|---|---|------|---|---|
| | E | C | B | E | C | B | E | C | B | E | C | B |
| E | 12.2 | 16.0 | 12.8 | 0 | 0 | 0.7 | | | | | | |
| C | 0 | 0 | 0 | (0) | (9.0) | (0.2) | | | | | | |
| B | 8.2 | 8.2 | 7.5 | (4.9) | (10.1) | (9.5) | | | | | | |
| E | 8.4 | 8.4 | 7.7 | (5.2) | (10.2) | (9.7) | | | | | | |

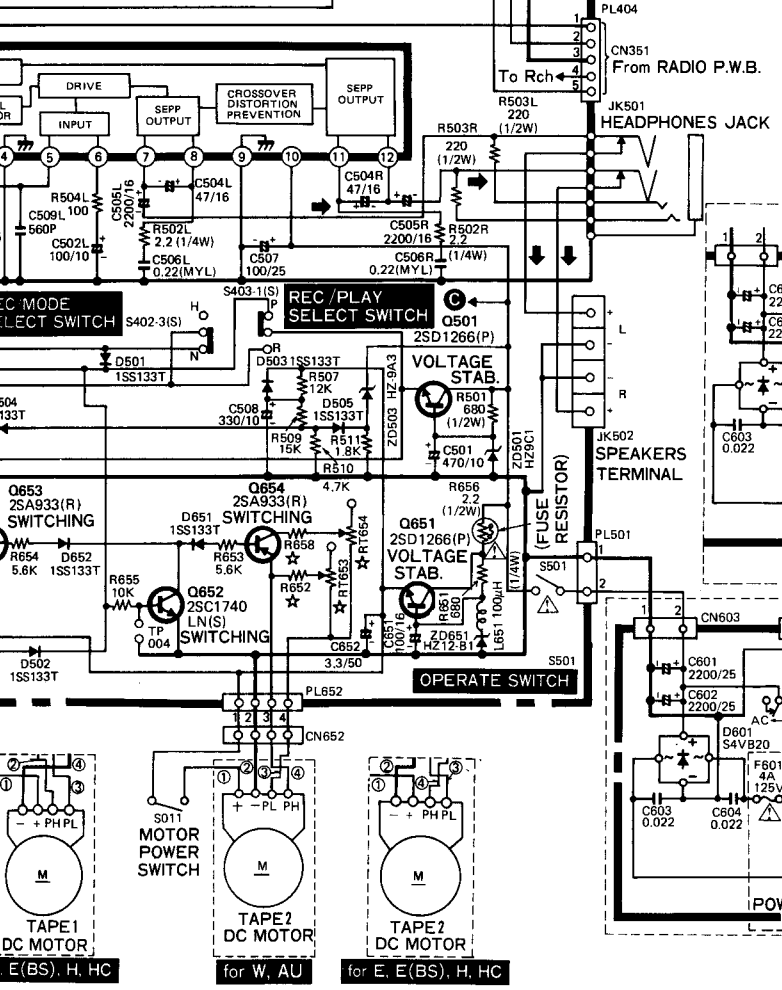
| | Q703 | | |
|---|--------|---------|-----------|
| | Others | T1 SPSS | T1 FF REW |
| E | 0 | 8.7 | 8.7 |
| C | 0 | 8.7 | 0 |
| B | 0 | 8.0 | 8.7 |

| | Q702 | | |
|---|--------|------|--|
| | Others | SPSS | |
| E | 0 | 0 | |
| C | 12.2 | 0.5 | |
| B | 0.2 | 0.8 | |

| | Q701 | |
|---|--------|---------|
| | Others | T1 PLAY |
| E | 0 | 0 |
| C | 0 | 0 |
| B | 0.3 | 0.7 |



for W, AU



for AU

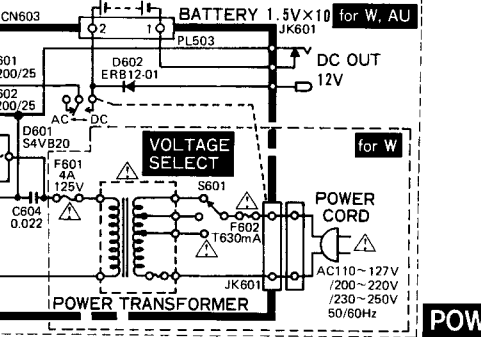
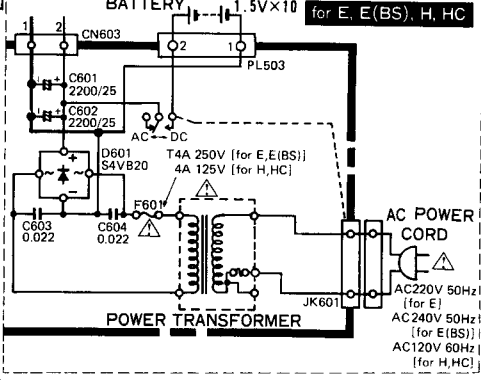
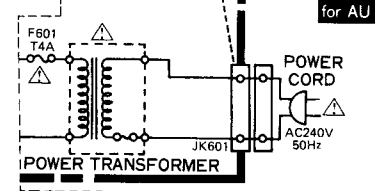
for E, E(BS), H, HC

for W, AU

for E, E(BS), H, HC

for W, AU

for W



POWER SUPPLY P.W.B.

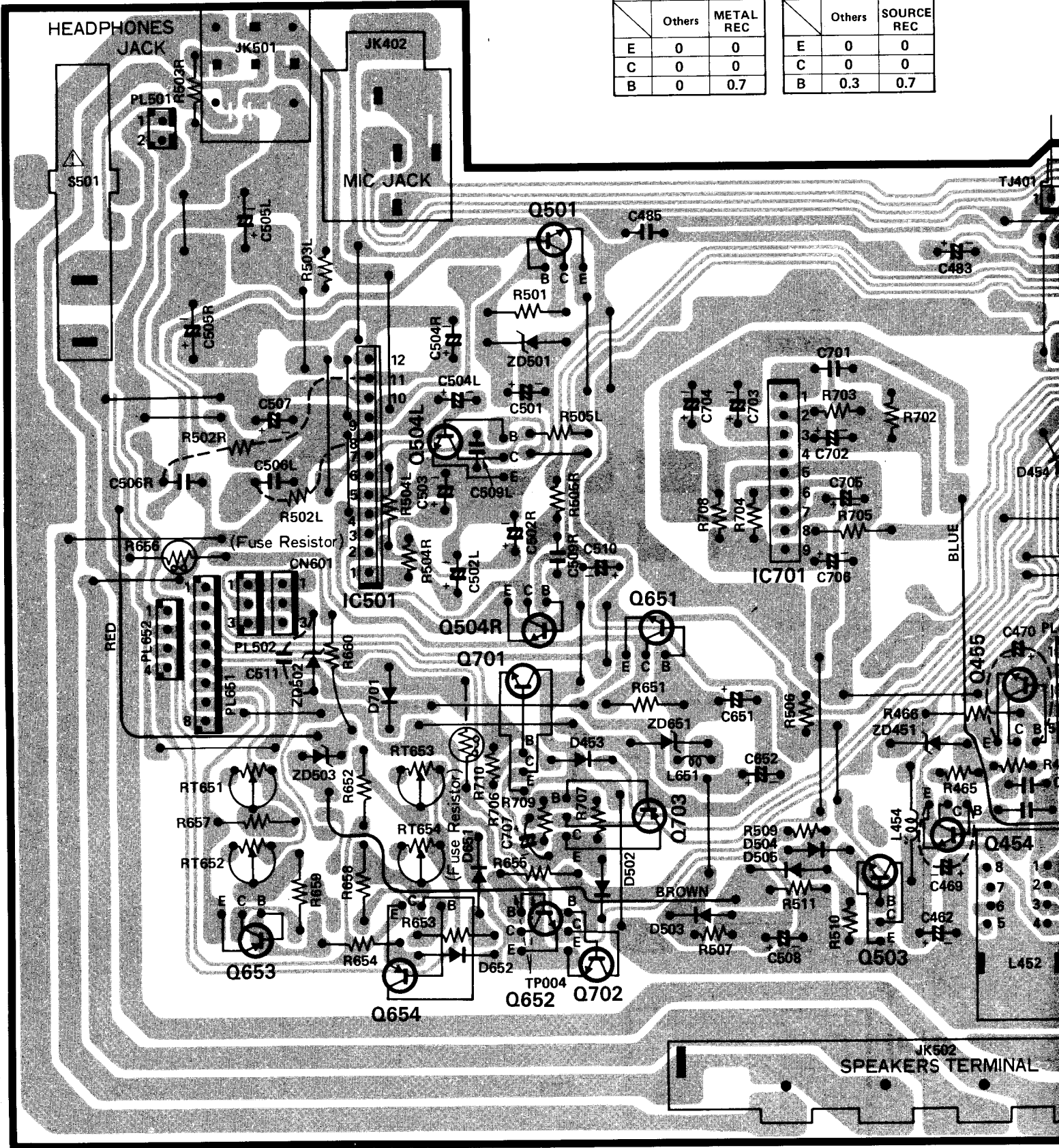
PRINTED WIRING BOARD [H,HC,E,E(BS)]
MAIN P.W.B.

S501 **OPERATE SWITCH**

※ indicates axial lead cylindrical ceramic capacitor.

| Q452LR | | |
|--------|--------|-----------|
| | Others | METAL REC |
| E | 0 | 0 |
| C | 0 | 0 |
| B | 0 | 0.7 |

| Q453LR | | |
|--------|--------|------------|
| | Others | SOURCE REC |
| E | 0 | 0 |
| C | 0 | 0 |
| B | 0.3 | 0.7 |



| | E | C |
|------|-----|-----|
| Q501 | 8.7 | 16. |
| Q503 | 0 | 0 |
| Q504 | 0 | 0 |

rical ceramic capacitor.

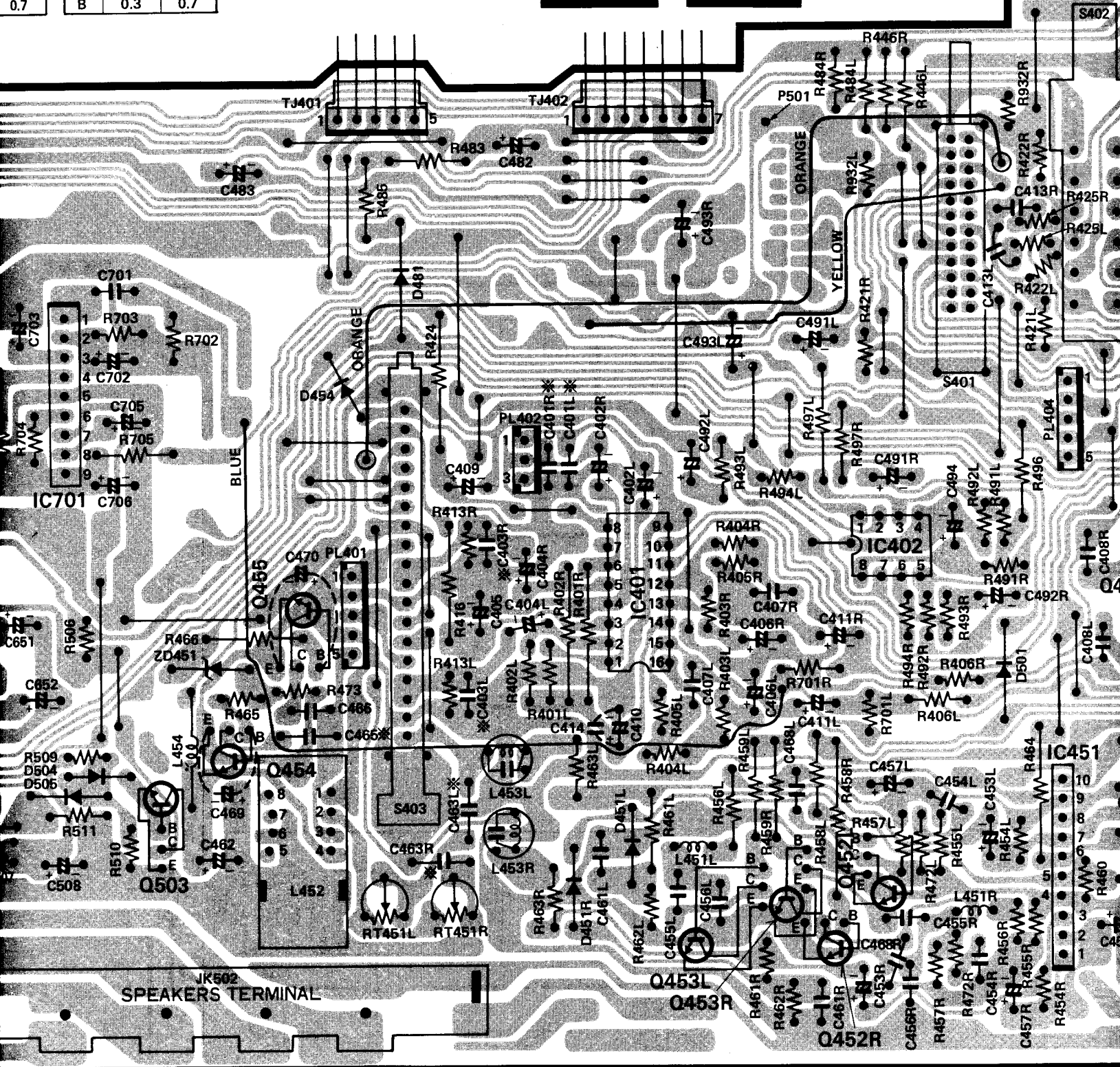
| METAL REC | Q453LR | |
|-----------|--------|------------|
| | Others | SOURCE REC |
| 0 | E 0 | 0 |
| 0 | C 0 | 0 |
| 0.7 | B 0.3 | 0.7 |

S403

REC/PLAY
SELECT
SWITCH

S401

FUNCTION
SELECT
SWITCH



| | E | C | B |
|------|-----|------|-----|
| Q501 | 8.7 | 16.0 | 9.4 |
| Q503 | 0 | 0 | 0.6 |
| Q504 | 0 | 0 | 0 |

| | Q401LR | |
|---|--------|-------|
| | Others | METAL |
| E | 0 | 0 |
| C | 0 | 0 |
| B | 0 | 0.6 |

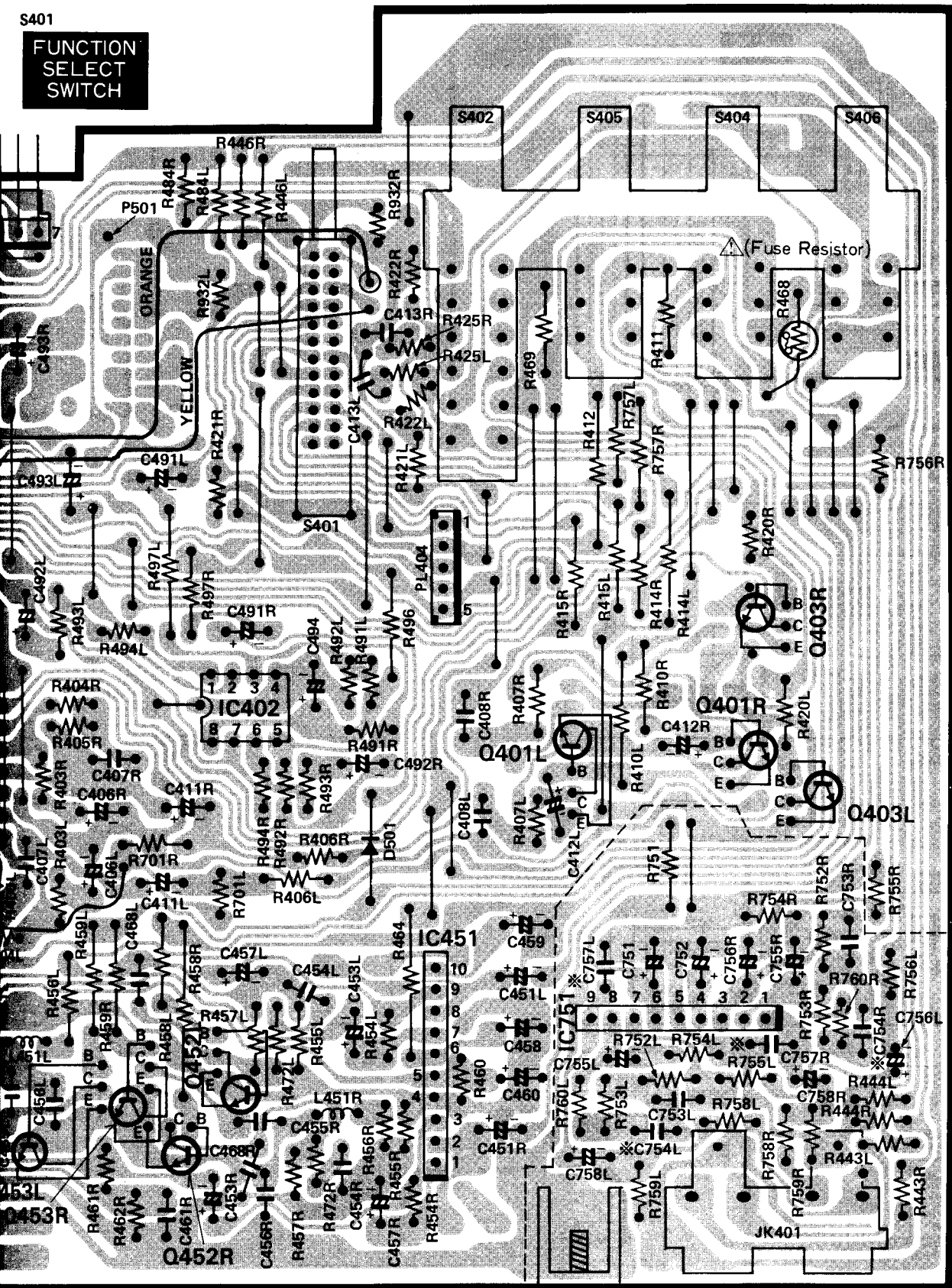
| | Q403LR | |
|---|--------|------|
| | Others | SPSS |
| E | 0 | 0 |
| C | 0 | 0 |
| B | 0 | 0.7 |

| | Q701 | |
|---|--------|---------|
| | Others | T1 PLAY |
| E | 0 | 0 |
| C | 0 | 0 |
| B | 0.3 | 0.7 |

| | Q702 | |
|---|--------|------|
| | Others | SPSS |
| E | 0 | 0 |
| C | 12.2 | 0.5 |
| B | 0.2 | 0.8 |

S401

FUNCTION
SELECT
SWITCH



S402

REC MODE
SELECT
SWITCH

RIF SW

(AM M

Q454

S405

TAPE1
TAPE SELECT
SWITCH

Q455

S404

TAPE2
TAPE SELECT
SWITCH

Q651

Q652

Q653

Q654

(): HIGH

Voltage

S406

REC MUTE
SWITCH

RT451LR

REC BIAS
CURRENT
LEVEL ADJ.

RT651

TAPE1
HIGH-SPEED
ADJ.

RT652

TAPE1
NORMAL-SPEED
ADJ.

| Q403LR | |
|--------|------|
| Others | SPSS |
| 0 | 0 |
| 0 | 0 |
| 0 | 0.7 |

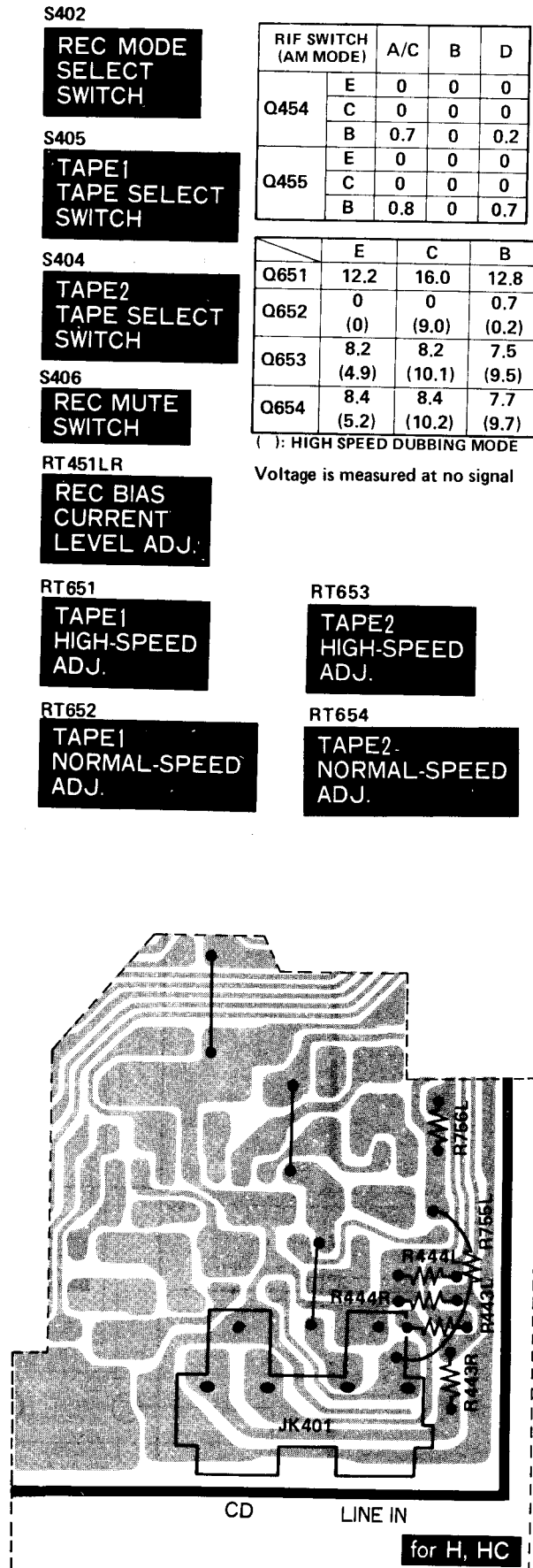
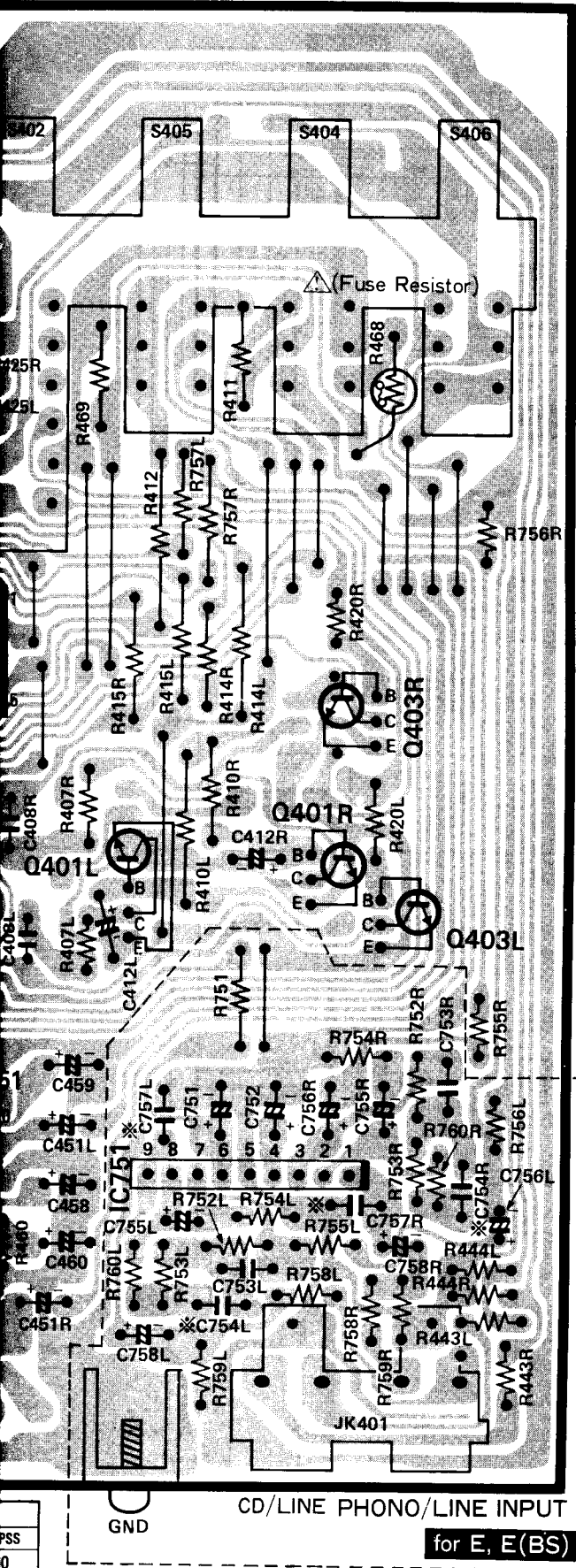
| Q701 | | |
|--------|---------|-----|
| Others | T1 PLAY | |
| E | 0 | 0 |
| C | 0 | 0 |
| B | 0.3 | 0.7 |

| Q702 | | |
|--------|------|-----|
| Others | SPSS | |
| E | 0 | 0 |
| C | 12.2 | 0.5 |
| B | 0.2 | 0.8 |

CD/LINE PHONO/LINE INPUT

for E, E(BS)

CD



S402

REC MODE SELECT SWITCH

| RIF SWITCH (AM MODE) | A/C | B | D | |
|----------------------|-----|-----|---|-----|
| Q454 | E | 0 | 0 | 0 |
| | C | 0 | 0 | 0 |
| Q455 | B | 0.7 | 0 | 0.2 |
| | E | 0 | 0 | 0 |
| | C | 0 | 0 | 0 |
| | B | 0.8 | 0 | 0.7 |

S405

TAPE1 TAPE SELECT SWITCH

| | E | C | B |
|------|--------------|---------------|--------------|
| Q651 | 12.2 | 16.0 | 12.8 |
| Q652 | 0 (0) | 0 (9.0) | 0.7 (0.2) |
| Q653 | 8.2 (4.9) | 8.2 (10.1) | 7.5 (9.5) |
| Q654 | 8.4 (5.2) | 8.4 (10.2) | 7.7 (9.7) |

S404

TAPE2 TAPE SELECT SWITCH

S406

REC MUTE SWITCH

(): HIGH SPEED DUBBING MODE

RT451LR

REC BIAS CURRENT LEVEL ADJ.

Voltage is measured at no signal

RT651

TAPE1 HIGH-SPEED ADJ.

RT653

TAPE2 HIGH-SPEED ADJ.

RT652

TAPE1 NORMAL-SPEED ADJ.

RT654

TAPE2 NORMAL-SPEED ADJ.

| Pin No. | IC401 |
|---------|--------------|
| 1 | 3.2 |
| 2 | 3.2 |
| 3 | 7.8 |
| 4 | 0 |
| 5 | 3.2 |
| 6 | 3.2 |
| 7 | 0 |
| 8 | 1.3 (2.7) |
| 9 | 0 |
| 10 | 0 |
| 11 | 0 |
| 12 | 3.2 |
| 13 | 3.2 |
| 14 | 3.2 |
| 15 | 3.2 |
| 16 | 3.2 |

(): T1 PLAY
T2 REC

| Q703 | | |
|--------|------|-----------|
| Others | SPSS | T1 FF/REW |
| 0 | 8.7 | 8.7 |
| 0 | 8.7 | 0 |
| 0 | 8.0 | 8.7 |

| Pin No. | IC402 |
|---------|-------|
| 1 | 4.5 |
| 2 | 4.5 |
| 3 | 4.5 |
| 4 | 0 |
| 5 | 4.5 |
| 6 | 4.5 |
| 7 | 4.5 |
| 8 | 8.2 |

| Pin No. | IC451 |
|---------|-------|
| 1 | 1.2 |
| 2 | 0 |
| 3 | 4.1 |
| 4 | 0 |
| 5 | 0 |
| 6 | 8.0 |
| 7 | 4.1 |
| 8 | 0 |
| 9 | 1.2 |
| 10 | 7.0 |

| Pin No. | IC701 |
|---------|--------|
| 1 | 0(2.0) |
| 2 | 0(0) |
| 3 | 0(2.0) |
| 4 | 0(0) |
| 5 | 0(0) |
| 6 | 0(1.5) |
| 7 | 0(0.7) |
| 8 | 0(0.1) |
| 9 | 0(7.5) |

(): SPSS

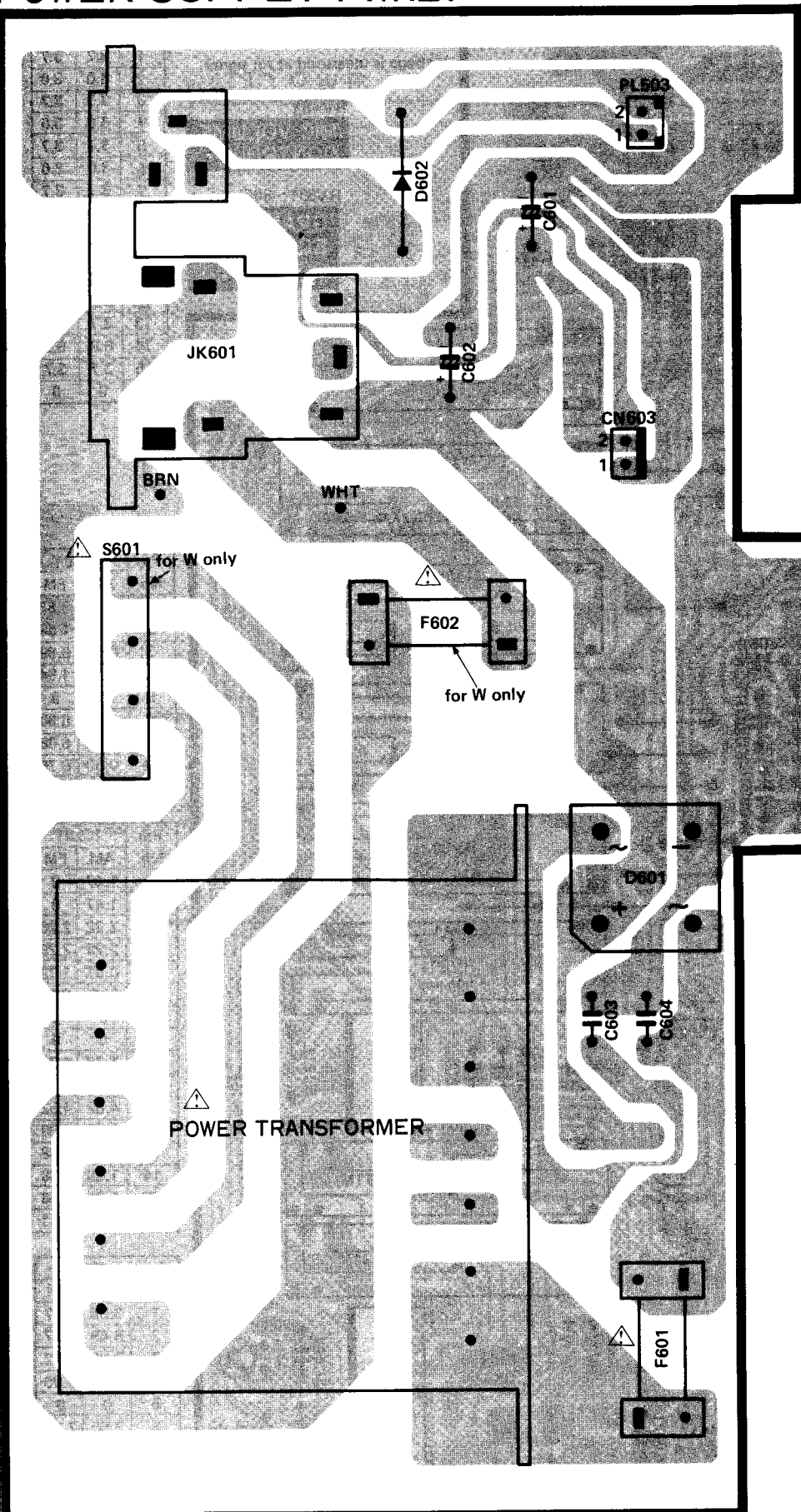
| Pin No. | IC501 |
|---------|-------|
| 1 | 1.2 |
| 2 | 0 |
| 3 | 20 |
| 4 | 0 |
| 5 | 0 |
| 6 | 1.2 |
| 7 | 10.4 |
| 8 | 18.9 |
| 9 | 0 |
| 10 | 20.2 |
| 11 | 18.2 |
| 12 | 10.4 |

SS
0
0.5
0.8

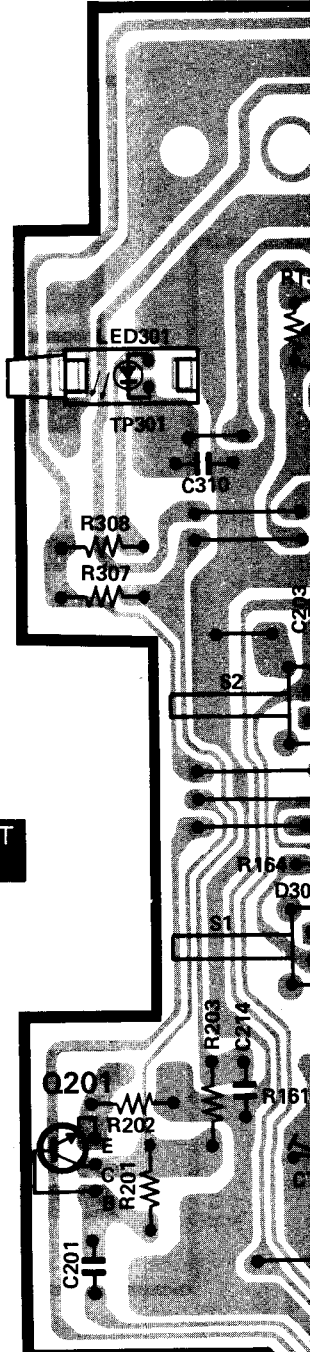
CD/LINE PHONO/LINE INPUT
for E, E(BS)

CD LINE IN
for H, HC

POWER SUPPLY P.W.B.



RADIO P.W.B.



RT301
FM MPX. ADJ.

S601
VOLTAGE
SELECTOR

S2
MODE
SELECT/
RIF/AFC
SWITCH

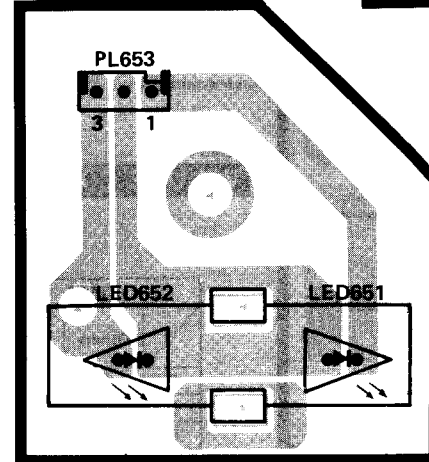
S1
BAND SELECT
SWITCH

| | Q201 | | |
|----|------|------|------|
| | E | C | B |
| AM | 0.11 | 6.20 | 0.81 |
| FM | 0 | 5.96 | 0.80 |

CT101, L101
FM ANT. ADJ.

CT102, L102
FM OSC. ADJ.

LED P.W.B.



T101
FM IF A

amic capacitor.

RADIO P.W.B.

SW

RT301
FM MPX. ADJ.

VOLTAGE
SELECTOR

S2
MODE
SELECT/
RIF/AFC
SWITCH

S1
BAND SELECT
SWITCH

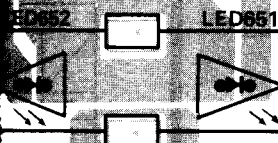
| | | Q201 | | |
|----|--|------|------|------|
| | | E | C | B |
| AM | | 0.11 | 6.20 | 0.81 |
| FM | | 0 | 5.96 | 0.80 |

CT101, L101
FM ANT. ADJ.

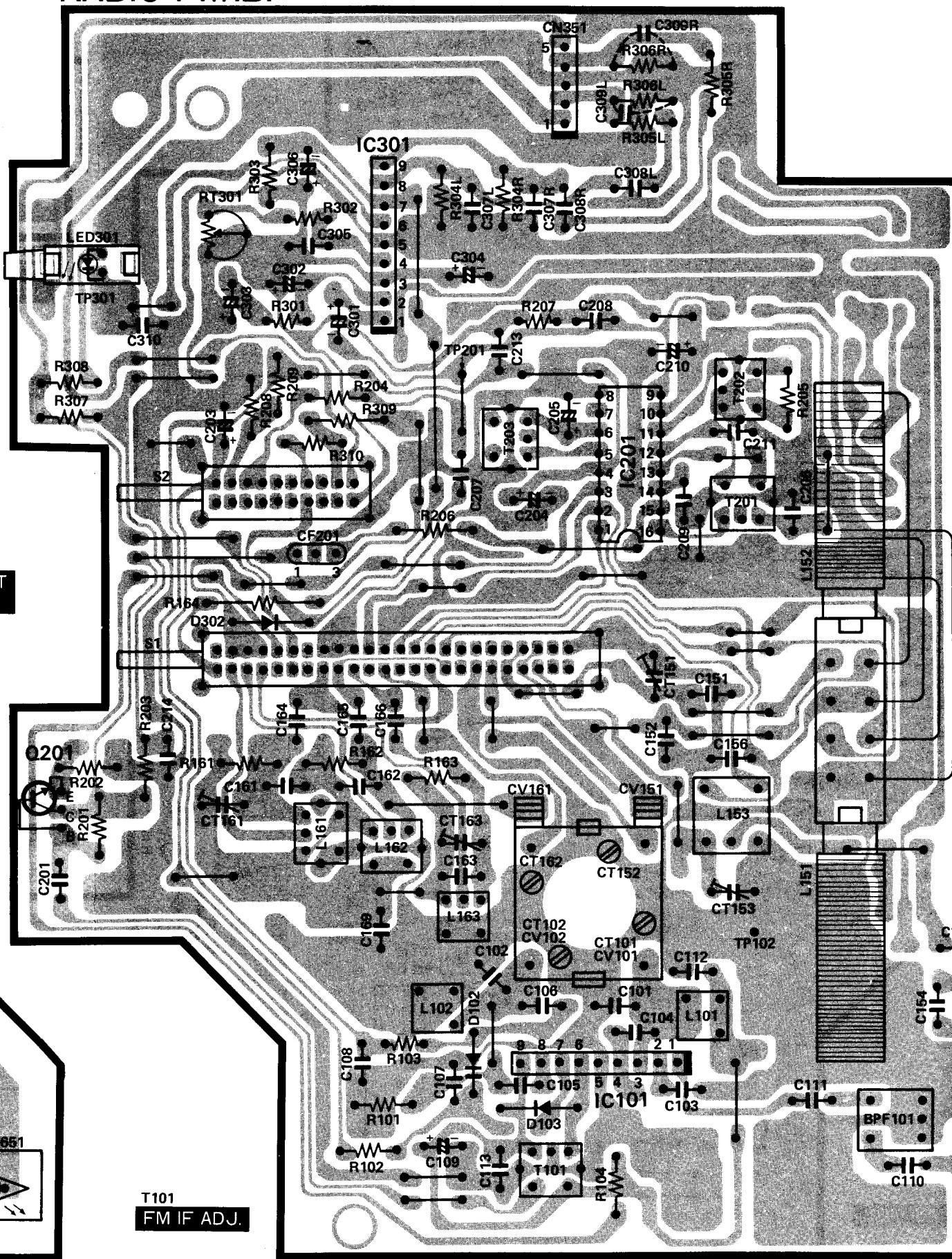
CT102, L102
FM OSC. ADJ.

D P.W.B.

PL653

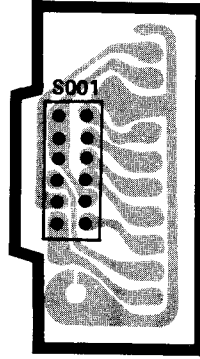
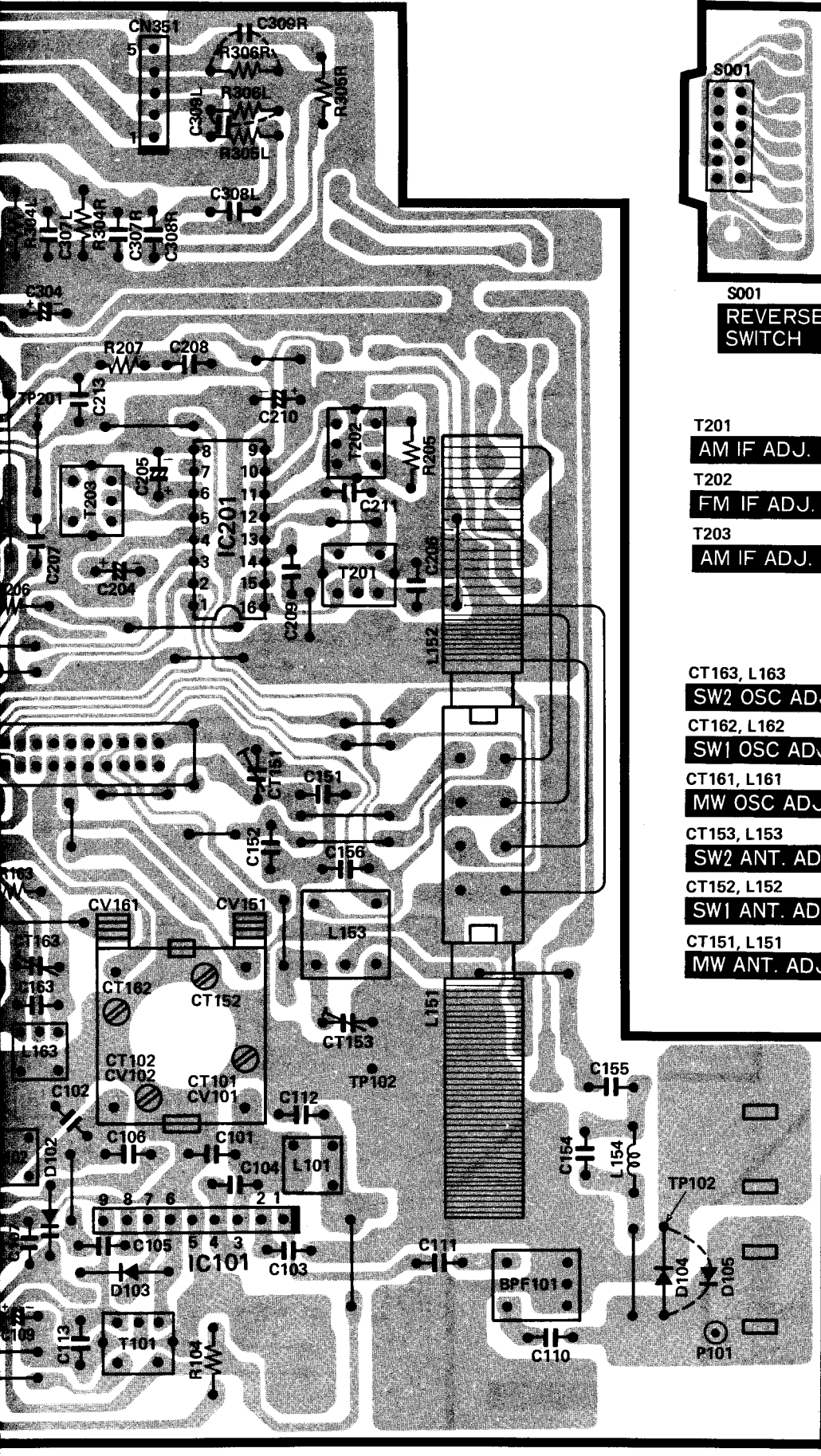


T101
FM IF ADJ.



SWITCH P.W.B.

VOLUME P.W.B.

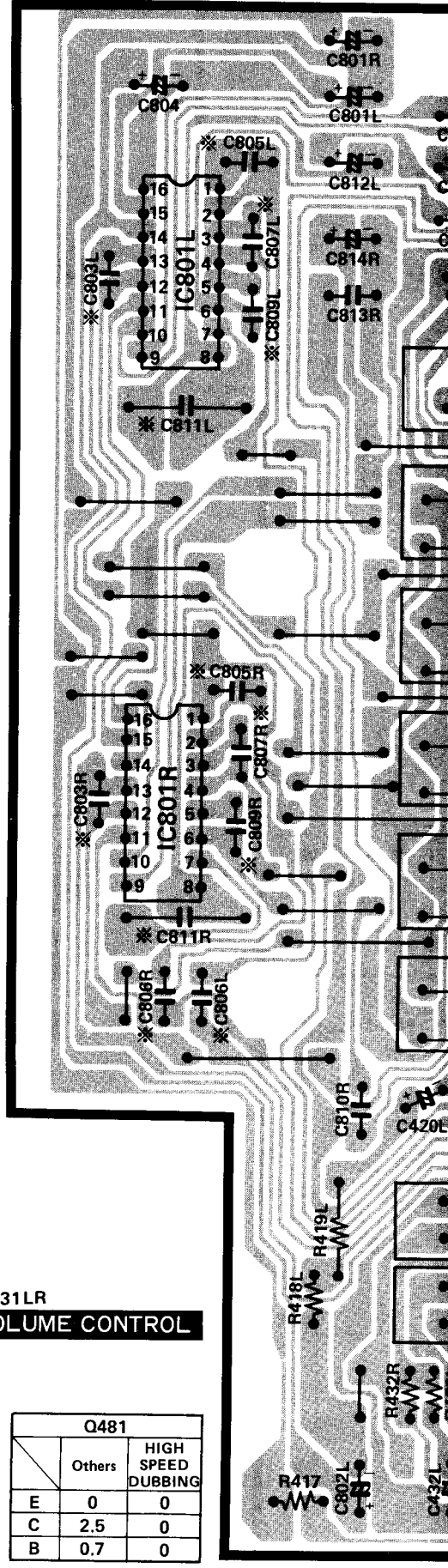


S001
REVERSE
SWITCH

- T201
AM IF ADJ.
- T202
FM IF ADJ.
- T203
AM IF ADJ.

- CT163, L163
SW2 OSC ADJ.
- CT162, L162
SW1 OSC ADJ.
- CT161, L161
MW OSC ADJ.
- CT153, L153
SW2 ANT. ADJ.
- CT152, L152
SW1 ANT. ADJ.
- CT151, L151
MW ANT. ADJ.

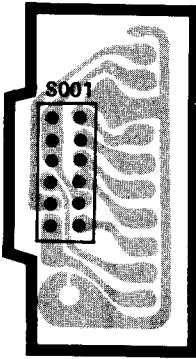
RV431LR
VOLUME CONTROL



| Q481 | | |
|------|--------|--------------------|
| | Others | HIGH SPEED DUBBING |
| E | 0 | 0 |
| C | 2.5 | 0 |
| B | 0.7 | 0 |

SWITCH P.W.B. VOLUME P.W.B.

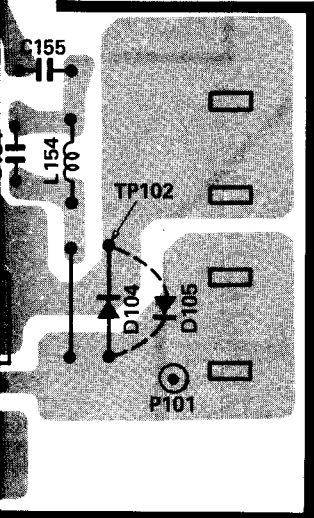
Voltage is measured at no signal



S001
REVERSE
SWITCH

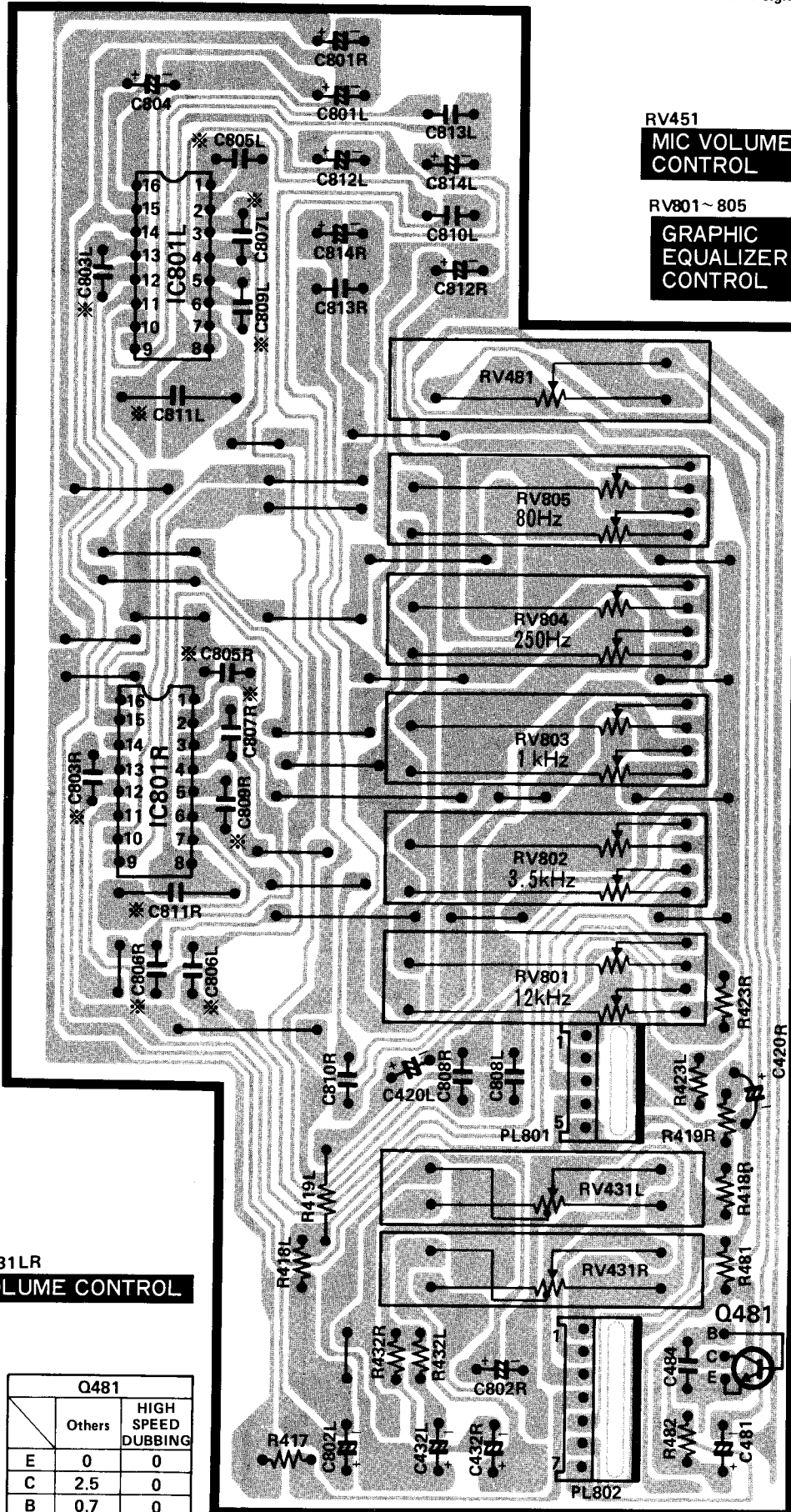
- T201
AM IF ADJ.
- T202
FM IF ADJ.
- T203
AM IF ADJ.

- CT163, L163
SW2 OSC ADJ.
- CT162, L162
SW1 OSC ADJ.
- CT161, L161
MW OSC ADJ.
- CT153, L153
SW2 ANT. ADJ.
- CT152, L152
SW1 ANT. ADJ.
- CT151, L151
MW ANT. ADJ.



RV431LR
VOLUME CONTROL

| Q481 | | |
|------|--------|--------------------|
| | Others | HIGH SPEED DUBBING |
| E | 0 | 0 |
| C | 2.5 | 0 |
| B | 0.7 | 0 |



RV451
MIC VOLUME
CONTROL

RV801~805
GRAPHIC
EQUALIZER
CONTROL

| Pin No. | IC801 | |
|---------|-------|-----|
| | L | R |
| 1 | 3.7 | 3.7 |
| 2 | 3.0 | 3.0 |
| 3 | 3.7 | 3.7 |
| 4 | 3.0 | 3.0 |
| 5 | 3.7 | 3.7 |
| 6 | 3.0 | 3.0 |
| 7 | 3.7 | 3.7 |
| 8 | 3.0 | 3.0 |
| 9 | 3.7 | 3.7 |
| 10 | 3.0 | 3.0 |
| 11 | 3.7 | 3.7 |
| 12 | 3.7 | 3.7 |
| 13 | 3.7 | 3.7 |
| 14 | 6.9 | 6.9 |
| 15 | 3.7 | 3.7 |
| 16 | 0 | 0 |

| Pin No. | IC101 | |
|---------|-------|------|
| | AM | FM |
| 1 | 0 | 0.82 |
| 2 | 0.10 | 1.58 |
| 3 | 0.50 | 6.89 |
| 4 | 0.10 | 1.54 |
| 5 | 0 | 0 |
| 6 | 0.50 | 6.88 |
| 7 | 0.10 | 6.08 |
| 8 | 0.50 | 6.78 |
| 9 | 0.50 | 6.88 |

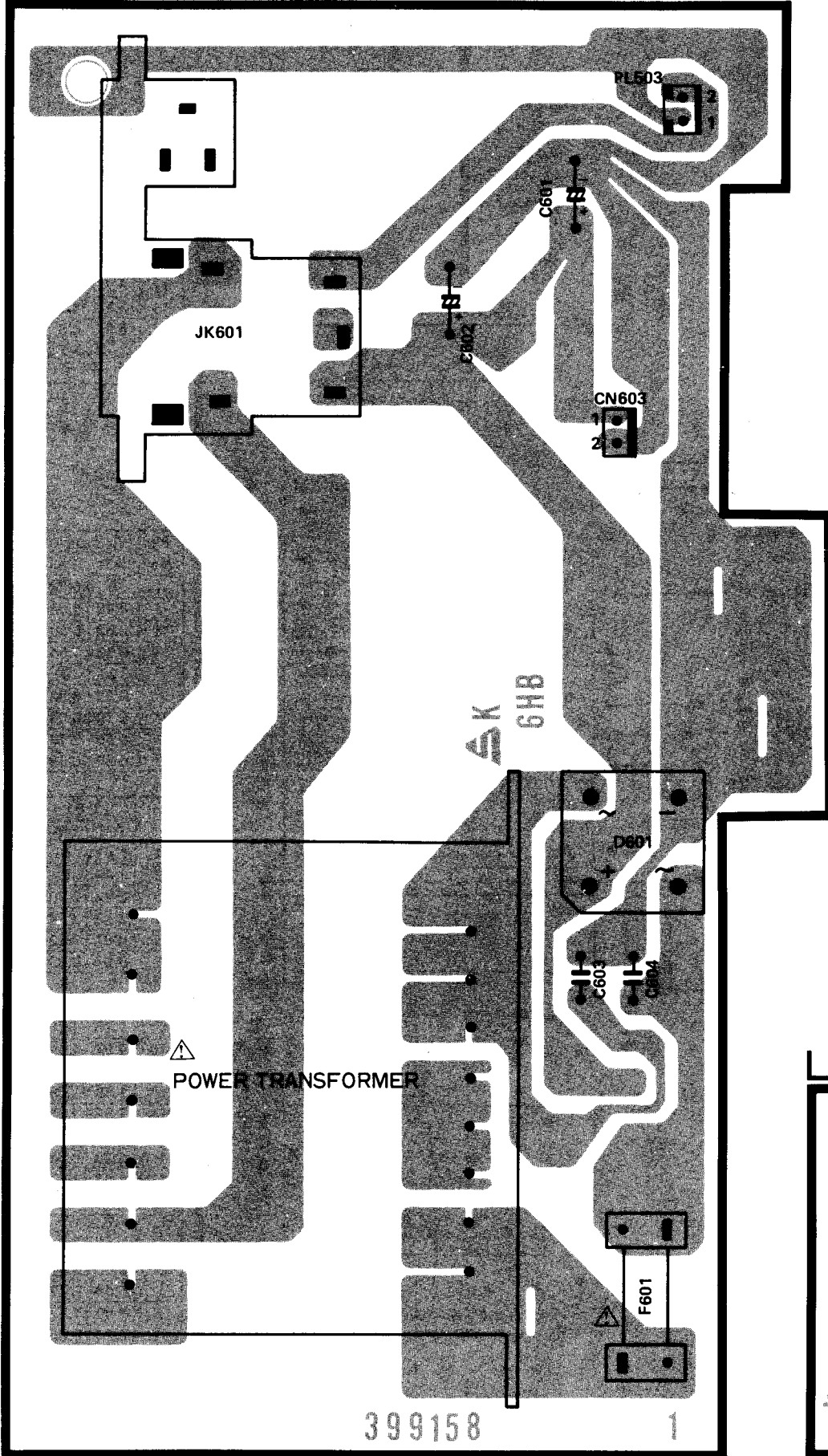
| Pin No. | IC201 | |
|---------|-------|------|
| | AM | FM |
| 1 | 1.47 | 0 |
| 2 | 1.47 | 0 |
| 3 | 2.22 | 2.28 |
| 4 | 2.23 | 2.28 |
| 5 | 0.87 | 1.12 |
| 6 | 0.87 | 0.89 |
| 7 | 0 | 0 |
| 8 | 0 | 0 |
| 9 | 1.26 | 1.36 |
| 10 | 4.62 | 4.51 |
| 11 | 4.62 | 4.52 |
| 12 | 1.38 | 1.39 |
| 13 | 1.38 | 1.38 |
| 14 | 1.38 | 1.38 |
| 15 | 1.38 | 1.38 |
| 16 | 4.61 | 4.51 |

| Pin No. | IC301 | |
|---------|-------|------|
| | AM | FM |
| 1 | 3.50 | 3.47 |
| 2 | 6.49 | 6.17 |
| 3 | 7.90 | 7.52 |
| 4 | 6.29 | 5.90 |
| 5 | 0 | 0 |
| 6 | 7.05 | 7.05 |
| 7 | 7.91 | 7.52 |
| 8 | 3.75 | 3.68 |
| 9 | 3.73 | 3.64 |

PRINTED WIRING BOARD [H,HC,E,E(BS)]
POWER SUPPLY P.W.B.

※ indicates axial lead cylindrical ceramic capacitor.

[H, HC E, E(BS)]



RT301
 FM MPX. ADJ.

S2
 MODE
 SELECT/
 RIF/AFC
 SWITCH

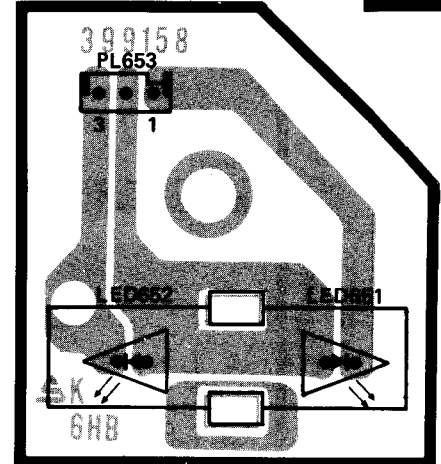
S1
 BAND SELECT
 SWITCH

| | Q201 | | |
|----|------|------|------|
| | E | C | B |
| AM | 0.11 | 6.20 | 0.81 |
| FM | 0 | 5.96 | 0.80 |

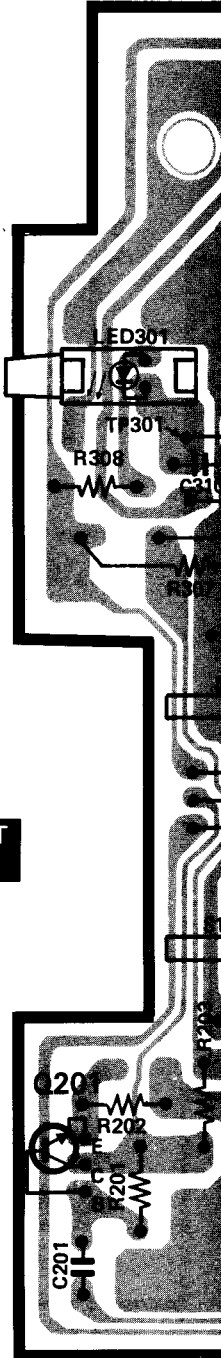
CT101, L101
 FM ANT. ADJ.

CT102, L102
 FM OSC. ADJ.

LED P.W.B.



RADIO

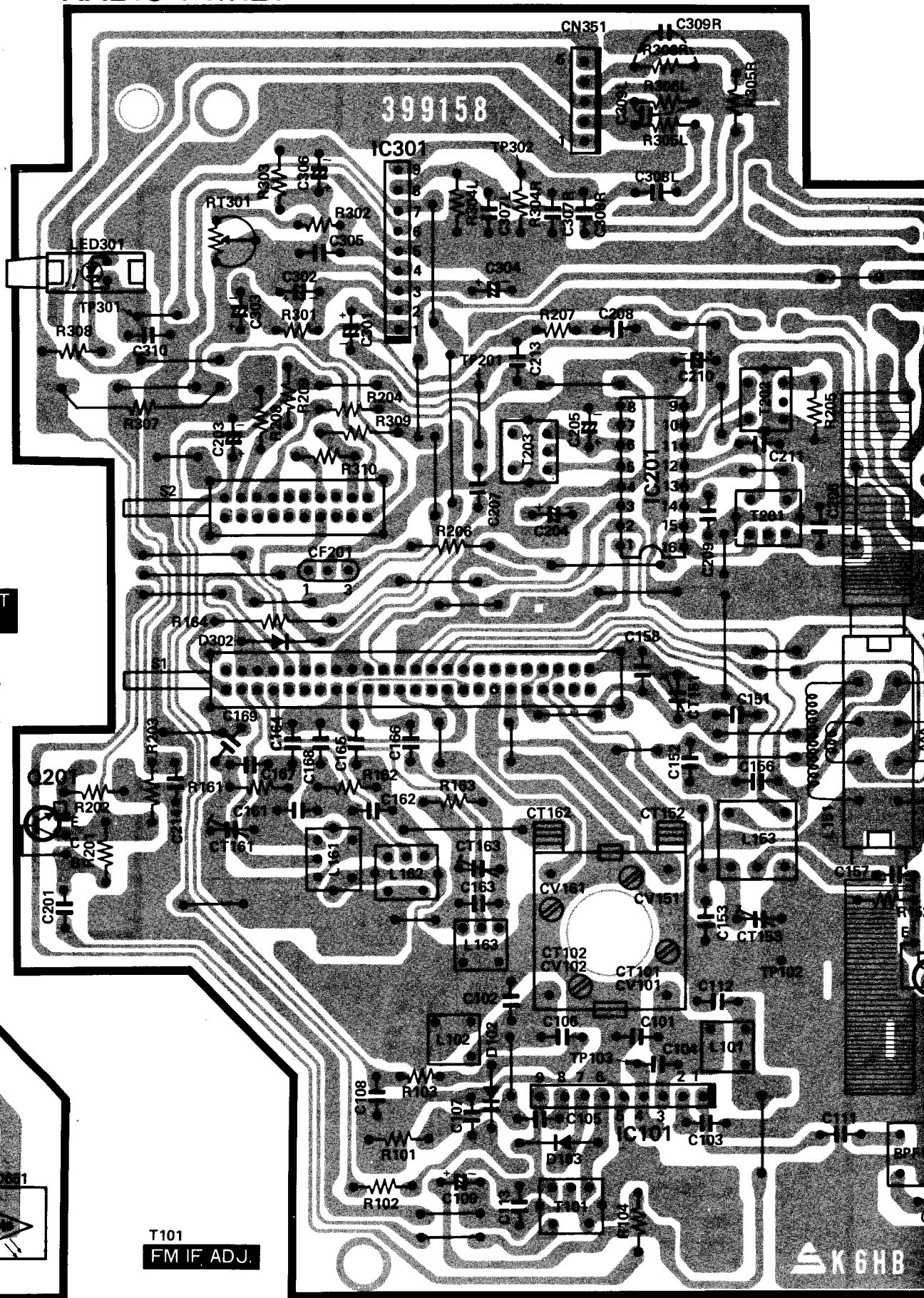


399158

axial lead cylindrical ceramic capacitor.

RADIO P.W.B.

[E, E(BS)]



399158

RT301
FM MPX. ADJ.

S2
MODE
SELECT/
RIF/AFC
SWITCH

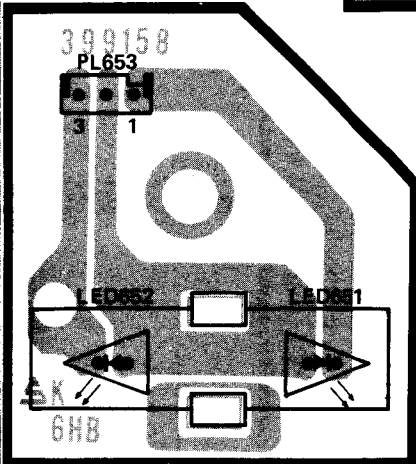
S1
BAND SELECT
SWITCH

| | | Q201 | | |
|----|------|------|------|--|
| | E | C | B | |
| AM | 0.11 | 6.20 | 0.81 | |
| FM | 0 | 5.96 | 0.80 | |

CT101, L101
FM ANT. ADJ.

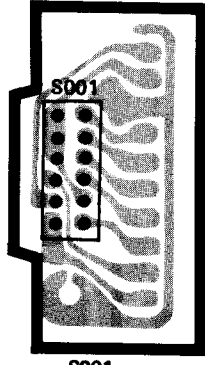
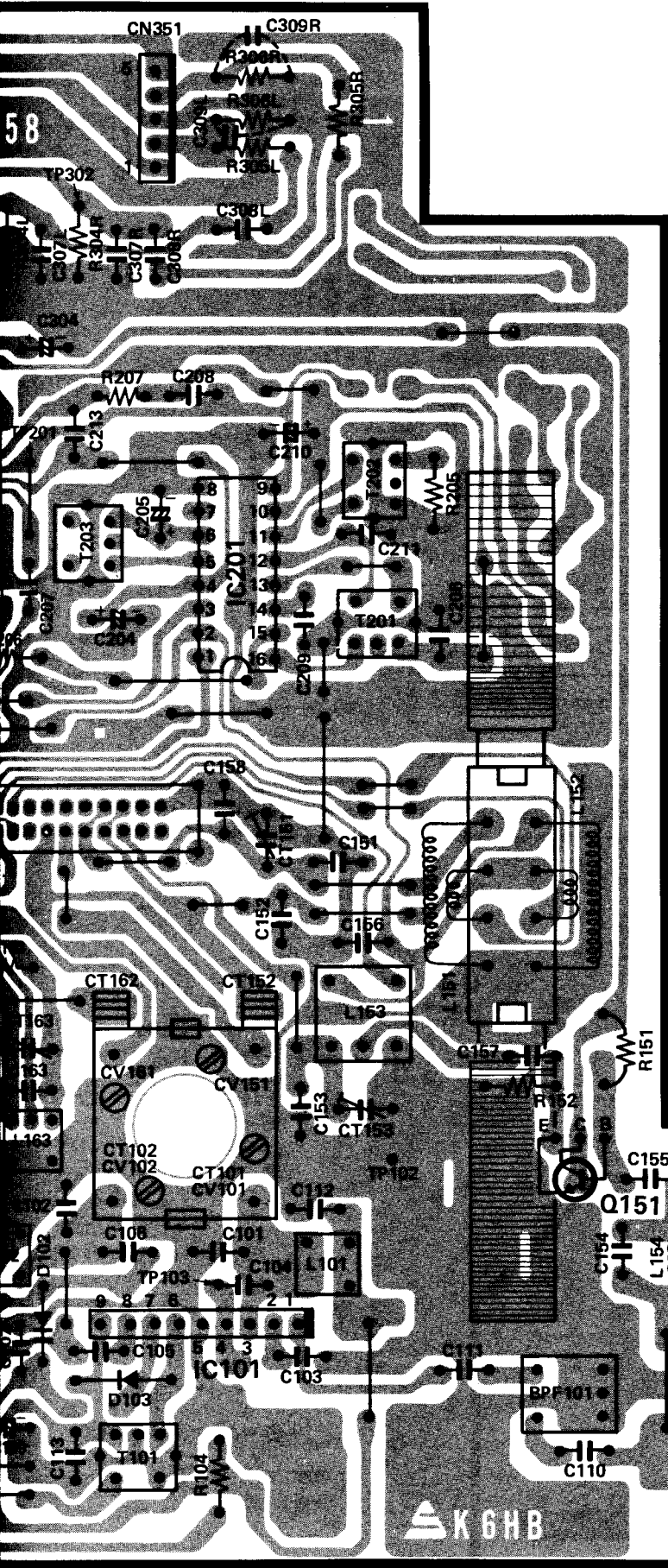
CT102, L102
FM OSC. ADJ.

LED P.W.B.



T101
FM IF ADJ.

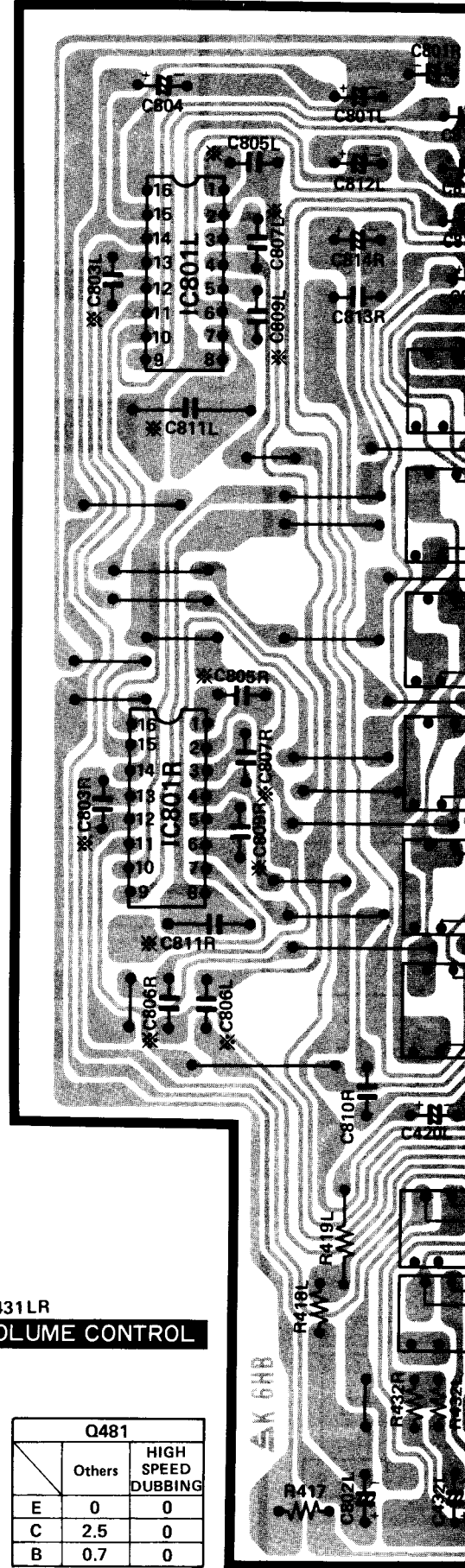
K6HB



S001
REVERSE SWITCH

- T201
AM IF ADJ.
- T202
FM IF ADJ.
- T203
AM IF ADJ.

- CT163, L163
SW OSC ADJ.
- CT162, L162
MW OSC ADJ.
- CT161, L161
LW OSC ADJ.
- CT153, L153
SW ANT. ADJ.
- CT152, L152
MW ANT. ADJ.
- CT151, L151
LW ANT. ADJ.



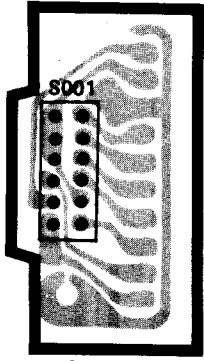
RV431LR
VOLUME CONTROL

| Q481 | | |
|------|--------|--------------------|
| | Others | HIGH SPEED DUBBING |
| E | 0 | 0 |
| C | 2.5 | 0 |
| B | 0.7 | 0 |

SWITCH P.W.B.

VOLUME P.W.B.

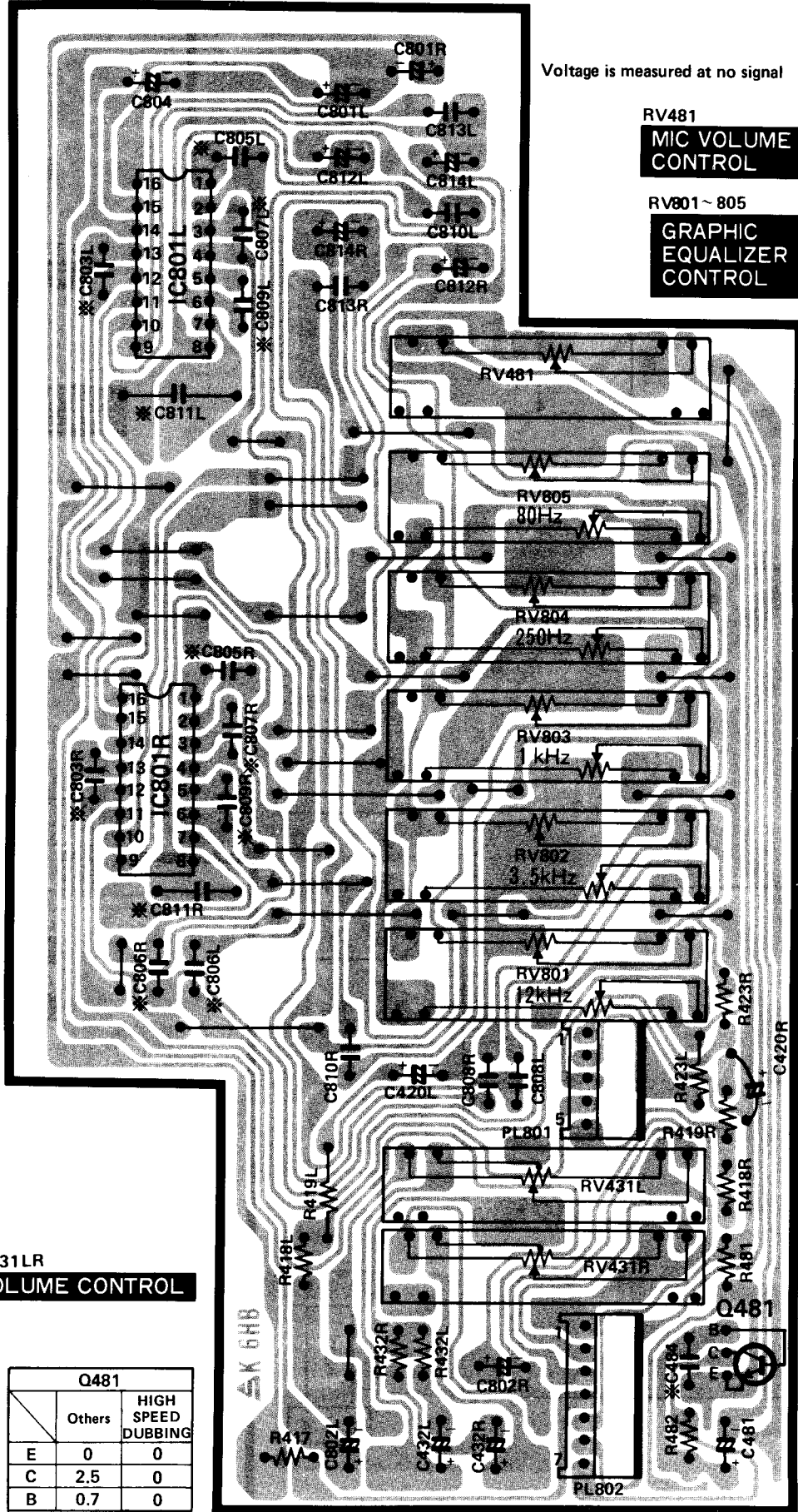
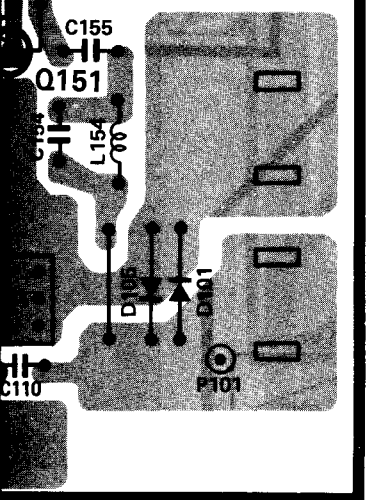
[H, HC, E, E(BS)]



S001
REVERSE
SWITCH

- T201
AM IF ADJ.
- T202
FM IF ADJ.
- T203
AM IF ADJ.

- CT163, L163
SW OSC ADJ.
- CT162, L162
MW OSC ADJ.
- CT161, L161
LW OSC ADJ.
- CT153, L153
SW ANT. ADJ.
- CT152, L152
MW ANT. ADJ.
- CT151, L151
LW ANT. ADJ.



Voltage is measured at no signal

RV481
MIC VOLUME
CONTROL

RV801 ~ 805
GRAPHIC
EQUALIZER
CONTROL

| Pin No. | IC801 | |
|---------|-------|-----|
| | L | R |
| 1 | 3.7 | 3.7 |
| 2 | 3.0 | 3.0 |
| 3 | 3.7 | 3.7 |
| 4 | 3.0 | 3.0 |
| 5 | 3.7 | 3.7 |
| 6 | 3.0 | 3.0 |
| 7 | 3.7 | 3.7 |
| 8 | 3.0 | 3.0 |
| 9 | 3.7 | 3.7 |
| 10 | 3.0 | 3.0 |
| 11 | 3.7 | 3.7 |
| 12 | 3.7 | 3.7 |
| 13 | 3.7 | 3.7 |
| 14 | 6.9 | 6.9 |
| 15 | 3.7 | 3.7 |
| 16 | 0 | 0 |

| Pin No. | IC101 | |
|---------|-------|------|
| | AM | FM |
| 1 | 0 | 0.82 |
| 2 | 0.10 | 1.58 |
| 3 | 0.50 | 6.89 |
| 4 | 0.10 | 1.54 |
| 5 | 0 | 0 |
| 6 | 0.50 | 6.88 |
| 7 | 0.10 | 6.08 |
| 8 | 0.50 | 6.78 |
| 9 | 0.50 | 6.88 |

| Pin No. | IC201 | |
|---------|-------|------|
| | AM | FM |
| 1 | 1.47 | 0 |
| 2 | 1.47 | 0 |
| 3 | 2.22 | 2.28 |
| 4 | 2.23 | 2.28 |
| 5 | 0.87 | 1.12 |
| 6 | 0.87 | 0.89 |
| 7 | 0 | 0 |
| 8 | 0 | 0 |
| 9 | 1.26 | 1.36 |
| 10 | 4.62 | 4.51 |
| 11 | 4.62 | 4.52 |
| 12 | 1.38 | 1.39 |
| 13 | 1.38 | 1.38 |
| 14 | 1.38 | 1.38 |
| 15 | 1.38 | 1.38 |
| 16 | 4.61 | 4.51 |

RV431LR
VOLUME CONTROL

| Q481 | | |
|------|--------|--------------------|
| | Others | HIGH SPEED DUBBING |
| E | 0 | 0 |
| C | 2.5 | 0 |
| B | 0.7 | 0 |

| Pin No. | IC301 | |
|---------|-------|------|
| | AM | FM |
| 1 | 3.50 | 3.47 |
| 2 | 6.49 | 6.17 |
| 3 | 7.90 | 7.52 |
| 4 | 6.29 | 5.90 |
| 5 | 0 | 0 |
| 6 | 7.05 | 7.05 |
| 7 | 7.91 | 7.52 |
| 8 | 3.75 | 3.68 |
| 9 | 3.73 | 3.64 |

7

8

9

RADIO P.W.B.

RT301
FM MPX. ADJ.

S2
MODE
SELECT/
RIF/ AFC
SWITCH

S1
BAND SELECT
SWITCH

Q201, L101
FM ANT. ADJ.

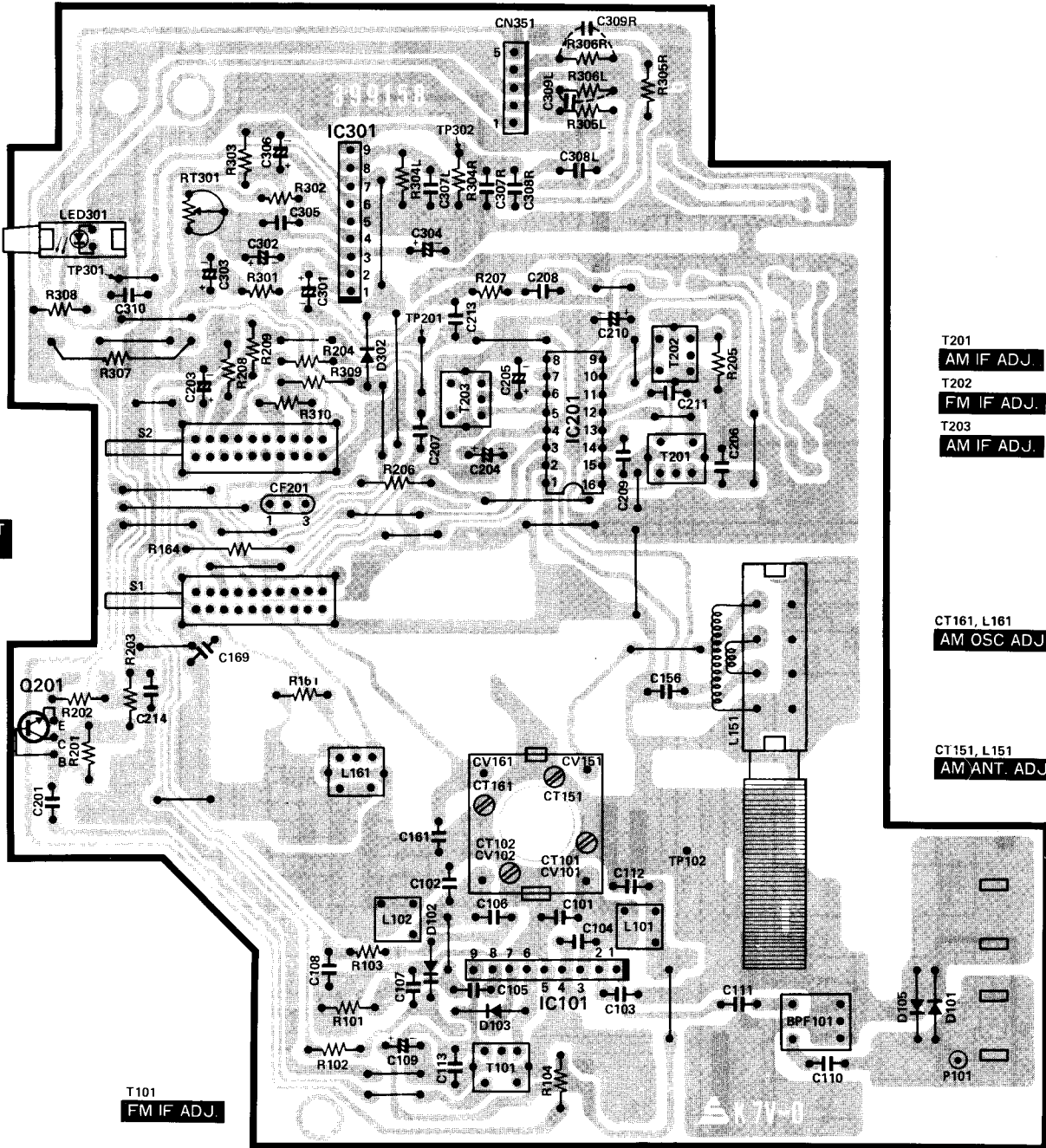
CT102, L102
FM OSC. ADJ.

T101
FM IF ADJ.

T201
AM IF ADJ.
T202
FM IF ADJ.
T203
AM IF ADJ.

CT161, L161
AM OSC. ADJ.

CT151, L151
AM ANT. ADJ.

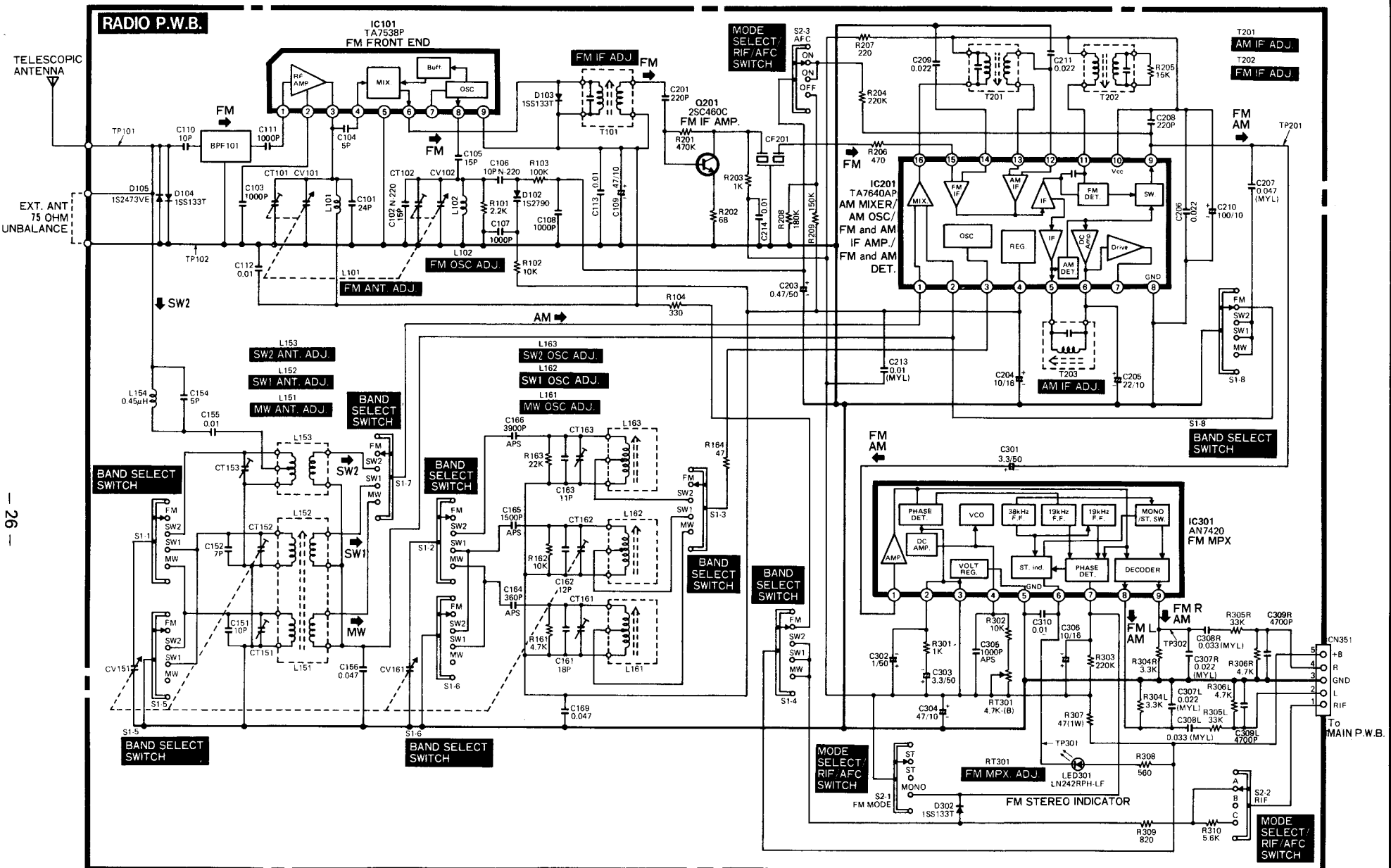


Voltage is measured at no signal

| | Q201 | | |
|----|------|------|------|
| | E | C | B |
| AM | 0.11 | 6.20 | 0.81 |
| FM | 0 | 5.96 | 0.80 |

| Pin No. | 1 | 2 | 3 | 4 | 5 | 6 | 7 | 8 | 9 | 10 | 11 | 12 | 13 | 14 | 15 | 16 |
|---------|----|------|------|------|------|------|------|------|------|------|------|------|------|------|------|------|
| IC101 | AM | 0 | 0.10 | 0.50 | 0.10 | 0 | 0.50 | 0.10 | 0.50 | | | | | | | |
| | FM | 0.82 | 1.58 | 6.89 | 1.54 | 0 | 6.88 | 6.08 | 6.78 | 6.88 | | | | | | |
| IC201 | AM | 1.47 | 1.47 | 2.22 | 2.23 | 0.87 | 0.87 | 0 | 0 | 1.26 | 4.62 | 4.62 | 1.38 | 1.38 | 1.38 | 4.61 |
| | FM | 0 | 0 | 2.28 | 2.28 | 1.12 | 0.89 | 0 | 0 | 1.36 | 4.51 | 4.52 | 1.39 | 1.38 | 1.38 | 1.38 |
| IC301 | AM | 3.50 | 6.49 | 7.90 | 6.29 | 0 | 7.05 | 7.91 | 3.75 | 3.73 | | | | | | |
| | FM | 3.47 | 6.17 | 7.52 | 5.90 | 0 | 7.05 | 7.52 | 3.68 | 3.64 | | | | | | |

A
B
C
D
E
F
G

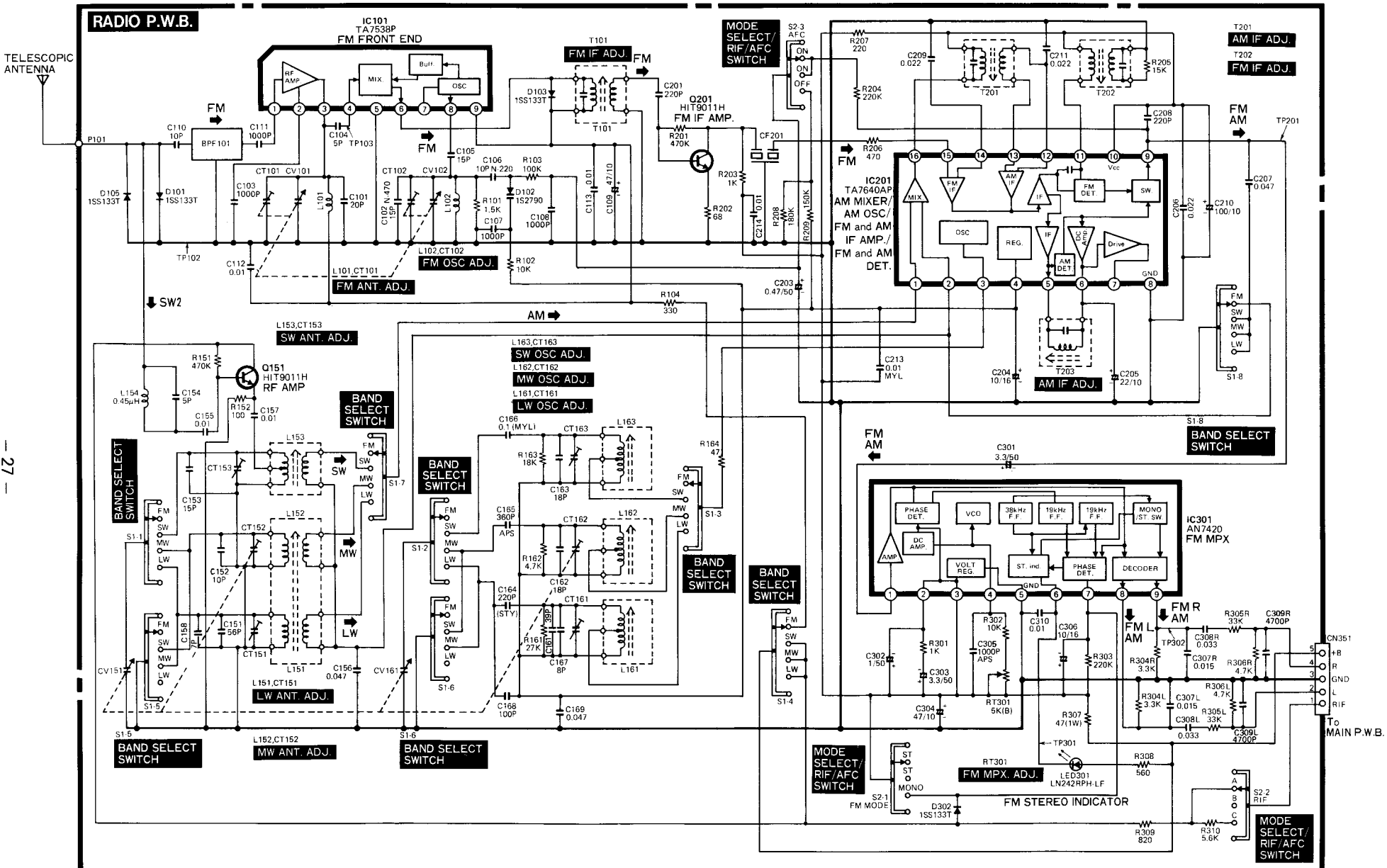


| | Q201 | | |
|----|------|------|------|
| | E | C | B |
| AM | 0.11 | 6.20 | 0.81 |
| FM | 0 | 5.96 | 0.80 |

Voltage is measured at no signal

| Pin No. | 1 | 2 | 3 | 4 | 5 | 6 | 7 | 8 | 9 | 10 | 11 | 12 | 13 | 14 | 15 | 16 |
|---------|----|------|------|------|------|------|------|------|------|------|------|------|------|------|------|------|
| IC101 | AM | 0 | 0.10 | 0.50 | 0.10 | 0 | 0.50 | 0.10 | 0.50 | | | | | | | |
| | FM | 0.82 | 1.58 | 6.89 | 1.54 | 0 | 6.88 | 6.08 | 6.78 | 6.88 | | | | | | |
| IC201 | AM | 1.47 | 1.47 | 2.22 | 2.23 | 0.87 | 0.87 | 0 | 0 | 1.26 | 4.62 | 4.62 | 1.38 | 1.38 | 1.38 | 4.61 |
| | FM | 0 | 0 | 2.28 | 2.28 | 1.12 | 0.89 | 0 | 0 | 1.36 | 4.51 | 4.52 | 1.39 | 1.38 | 1.38 | 4.51 |
| IC301 | AM | 3.50 | 6.49 | 7.90 | 6.29 | 0 | 7.05 | 7.91 | 3.75 | 3.73 | | | | | | |
| | FM | 3.47 | 6.17 | 7.52 | 5.90 | 0 | 7.05 | 7.52 | 3.68 | 3.64 | | | | | | |

1 2 3 4 5 6 7 8 9

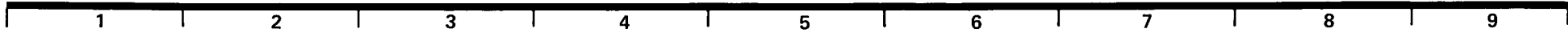


— 27 —

| | | | |
|----|------|------|------|
| | | Q201 | |
| | | E | C |
| AM | 0.11 | 6.20 | 0.81 |
| FM | 0 | 5.96 | 0.80 |

Voltage is measured at no signal

| | Pin No. | 1 | 2 | 3 | 4 | 5 | 6 | 7 | 8 | 9 | 10 | 11 | 12 | 13 | 14 | 15 | 16 |
|-------|---------|------|------|------|------|------|------|------|------|------|------|------|------|------|------|------|------|
| IC101 | AM | 0 | 0.10 | 0.50 | 0.10 | 0 | 0.50 | 0.10 | 0.50 | 0.50 | | | | | | | |
| | FM | 0.82 | 1.58 | 6.89 | 1.54 | 0 | 6.88 | 6.08 | 6.78 | 6.88 | | | | | | | |
| IC201 | AM | 1.47 | 1.47 | 2.22 | 2.23 | 0.87 | 0.87 | 0 | 0 | 1.26 | 4.62 | 4.62 | 1.38 | 1.38 | 1.38 | 1.38 | 4.61 |
| | FM | 0 | 0 | 2.28 | 2.28 | 1.12 | 0.89 | 0 | 0 | 1.36 | 4.51 | 4.52 | 1.39 | 1.38 | 1.38 | 1.38 | 4.51 |
| IC301 | AM | 3.50 | 6.49 | 7.90 | 6.29 | 0 | 7.05 | 7.91 | 3.75 | 3.73 | | | | | | | |
| | FM | 3.47 | 6.17 | 7.52 | 5.90 | 0 | 7.05 | 7.52 | 3.68 | 3.64 | | | | | | | |



RADIO P.W.B.

TELESCOPIC ANTENNA

IC101 TA7538P FM FRONT END

MODE SELECT/ RIF/ AFC SWITCH

T201 AM IF ADJ.
T202 FM IF ADJ.

FM IF ADJ.

IC201 TA7640AP AM MIXER/ AM OSC/ FM and AM IF AMP./ FM and AM DET.

AM IF ADJ.

BAND SELECT SWITCH

IC301 AN7420 FM MPX

MODE SELECT/ RIF/ AFC SWITCH

FM MPX ADJ.

FM STEREO INDICATOR

MODE SELECT/ RIF/ AFC SWITCH

| | | Q201 | | |
|----|--|------|------|------|
| | | E | C | B |
| AM | | 0.11 | 6.20 | 0.81 |
| FM | | 0 | 5.96 | 0.80 |

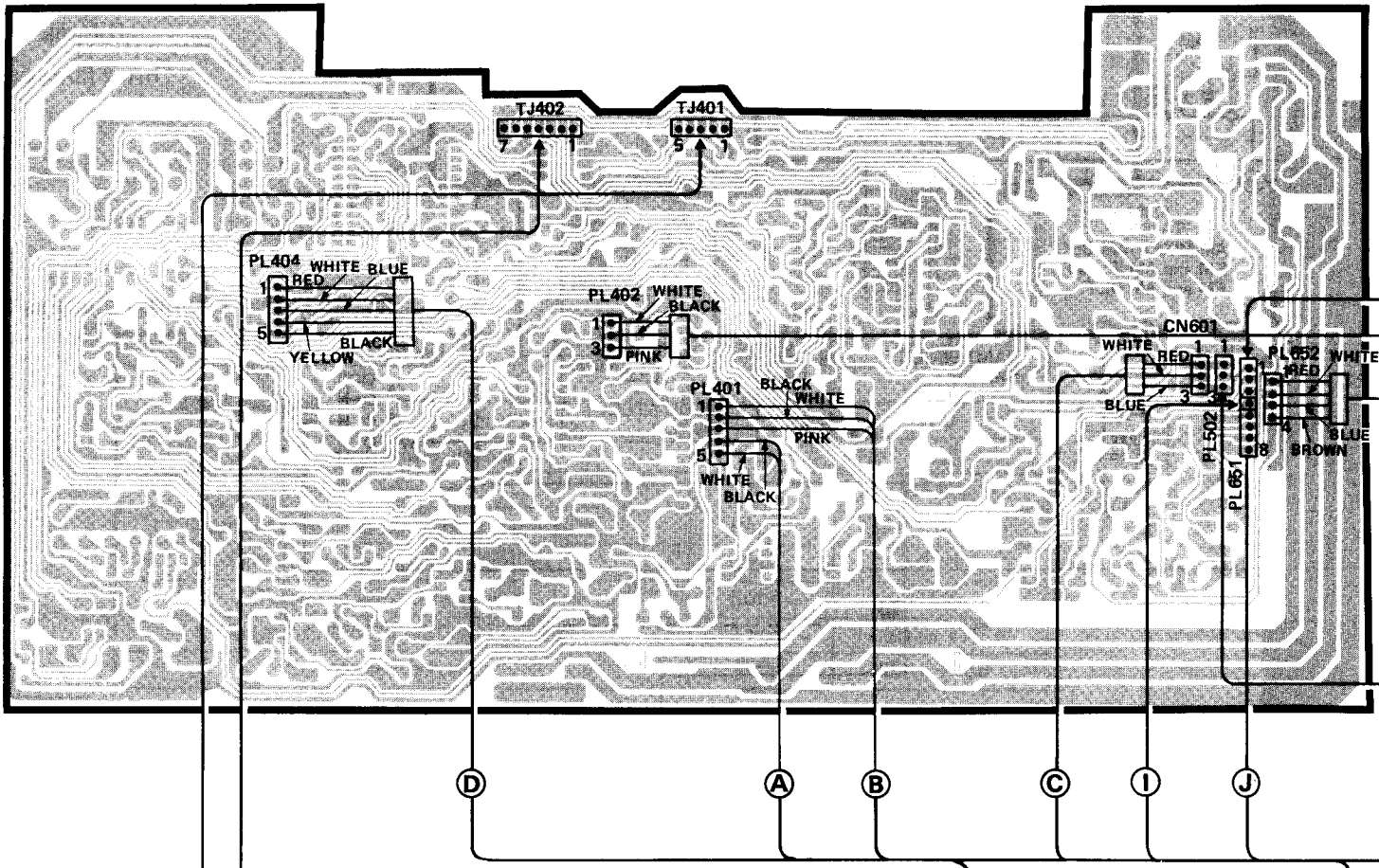
Voltage is measured at no signal

| Pin No. | | 1 | 2 | 3 | 4 | 5 | 6 | 7 | 8 | 9 | 10 | 11 | 12 | 13 | 14 | 15 | 16 |
|---------|----|------|------|------|------|------|------|------|------|------|------|------|------|------|------|----|----|
| IC101 | AM | 0 | 0.10 | 0.50 | 0.10 | 0 | 0.50 | 0.10 | 0.50 | 0.50 | | | | | | | |
| | FM | 0.82 | 1.58 | 6.89 | 1.54 | 0 | 6.88 | 6.08 | 6.78 | 6.88 | | | | | | | |
| IC201 | AM | 1.47 | 1.47 | 2.22 | 2.23 | 0.87 | 0 | 1.26 | 4.62 | 4.62 | 1.38 | 1.38 | 1.38 | 1.38 | 4.61 | | |
| | FM | 0 | 0 | 2.28 | 2.28 | 1.12 | 0.89 | 0 | 1.36 | 4.51 | 4.52 | 1.39 | 1.38 | 1.38 | 4.51 | | |
| IC301 | AM | 3.50 | 6.48 | 7.90 | 6.29 | 0 | 7.05 | 7.91 | 3.75 | 3.73 | | | | | | | |
| | FM | 3.47 | 6.17 | 7.52 | 5.90 | 0 | 7.05 | 7.52 | 3.68 | 3.64 | | | | | | | |

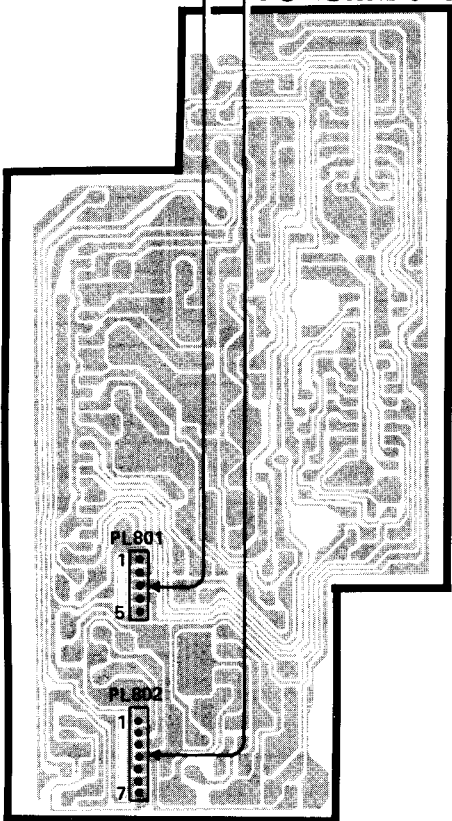
A
B
C
D
E
F
G

1 2 3 4 5 6 7 8 9

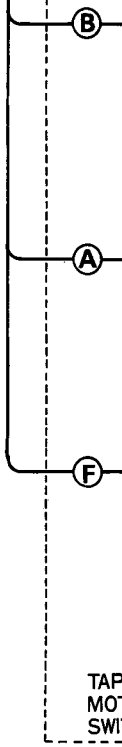
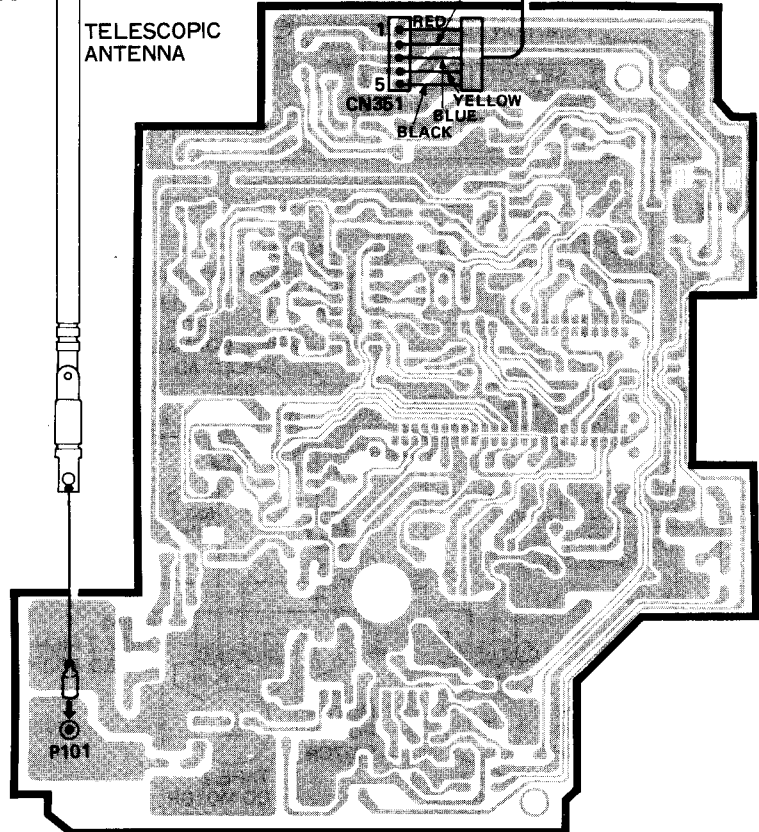
**WIRING DIAGRAM
MAIN P.W.B.**

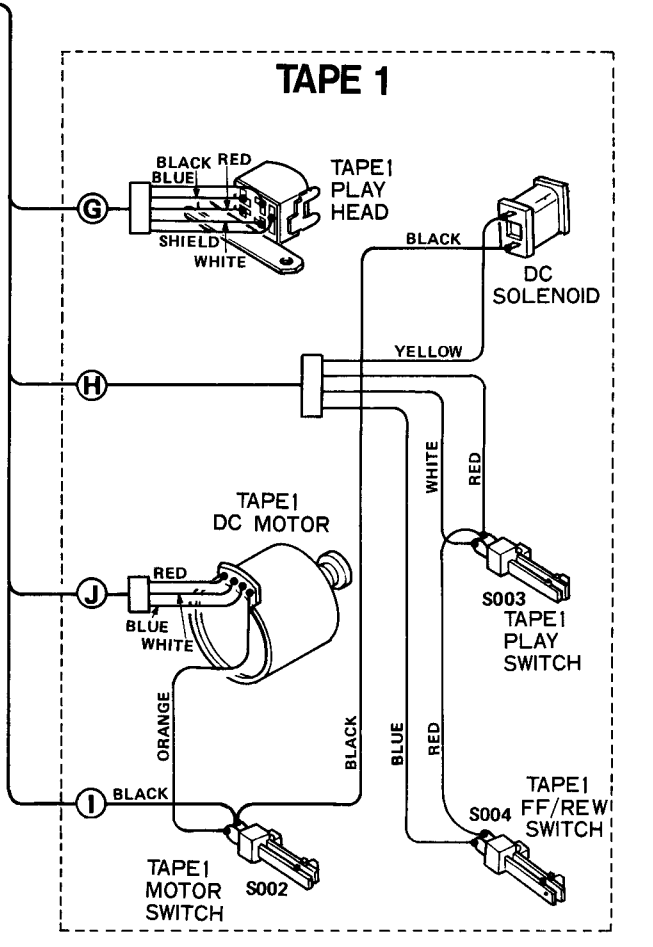
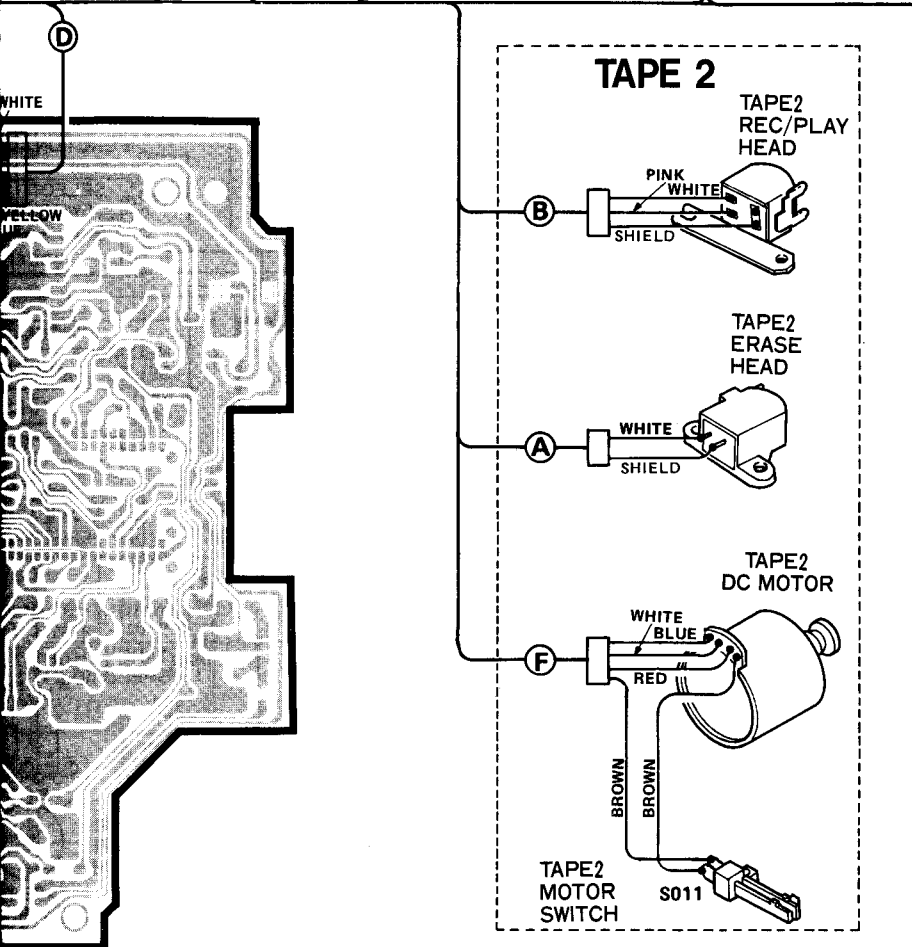
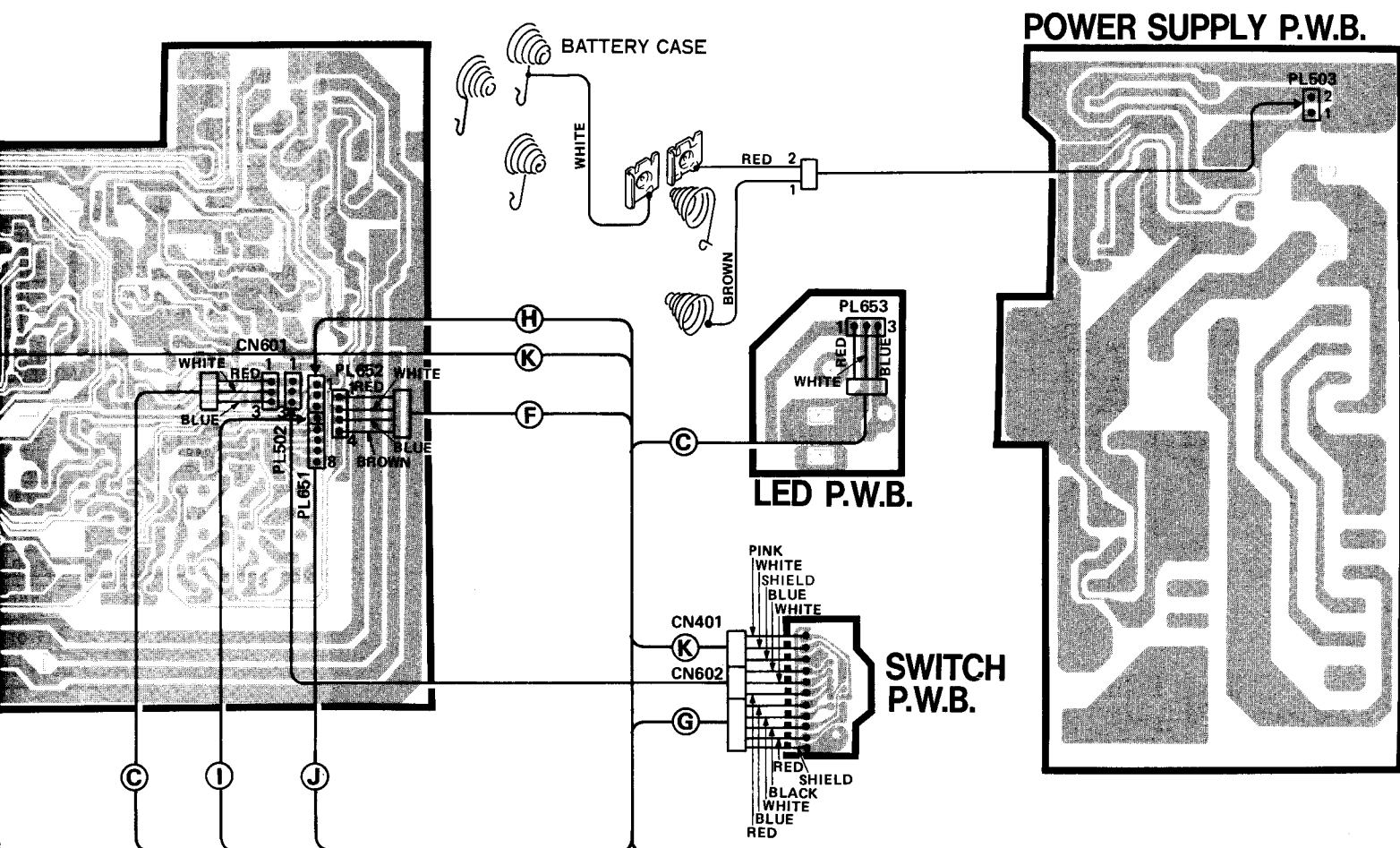


VOLUME P.W.B.

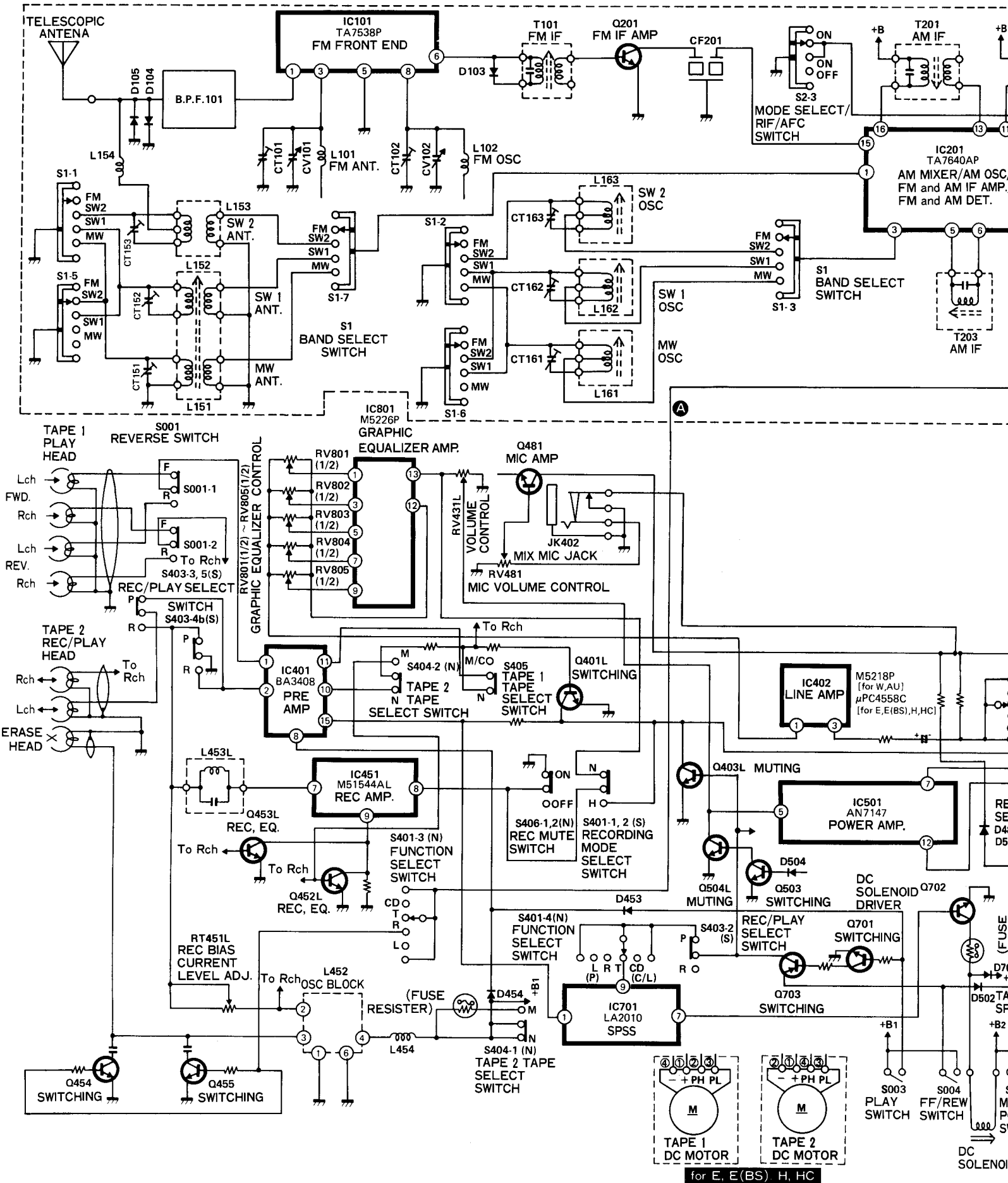


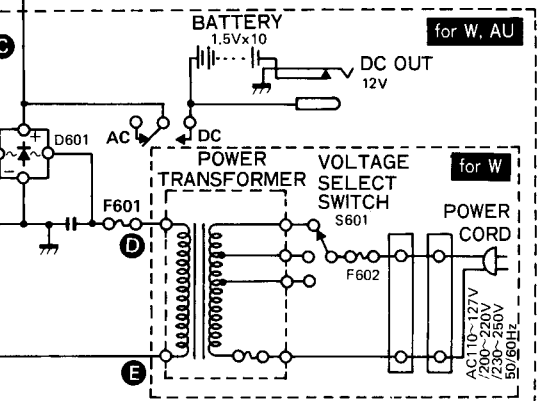
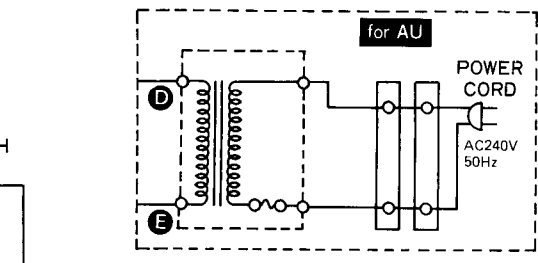
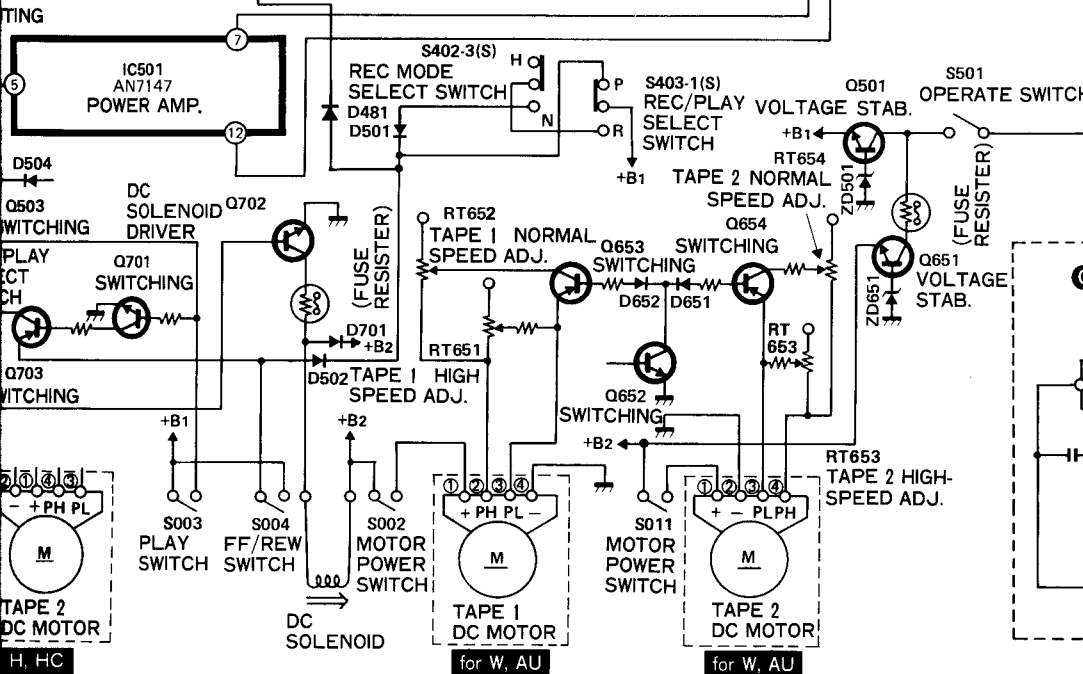
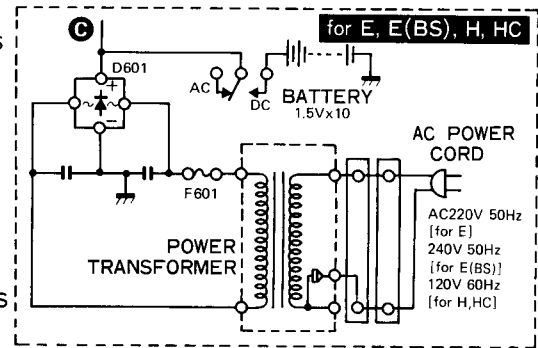
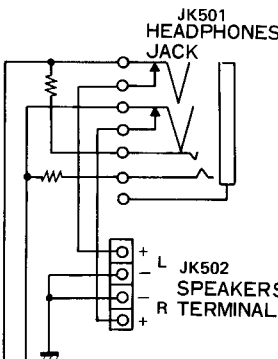
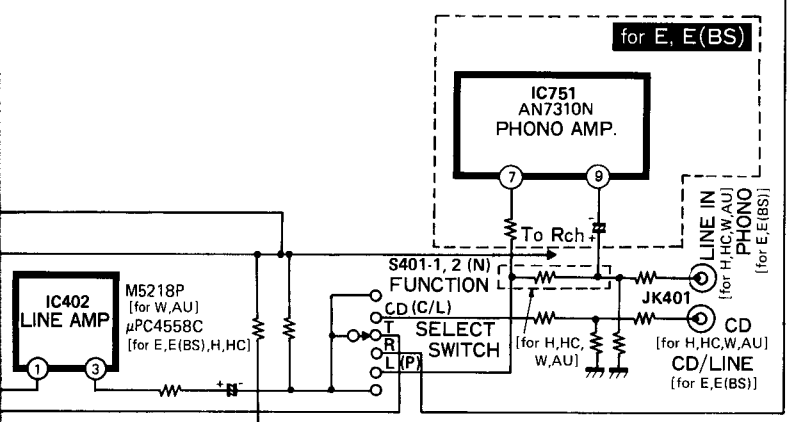
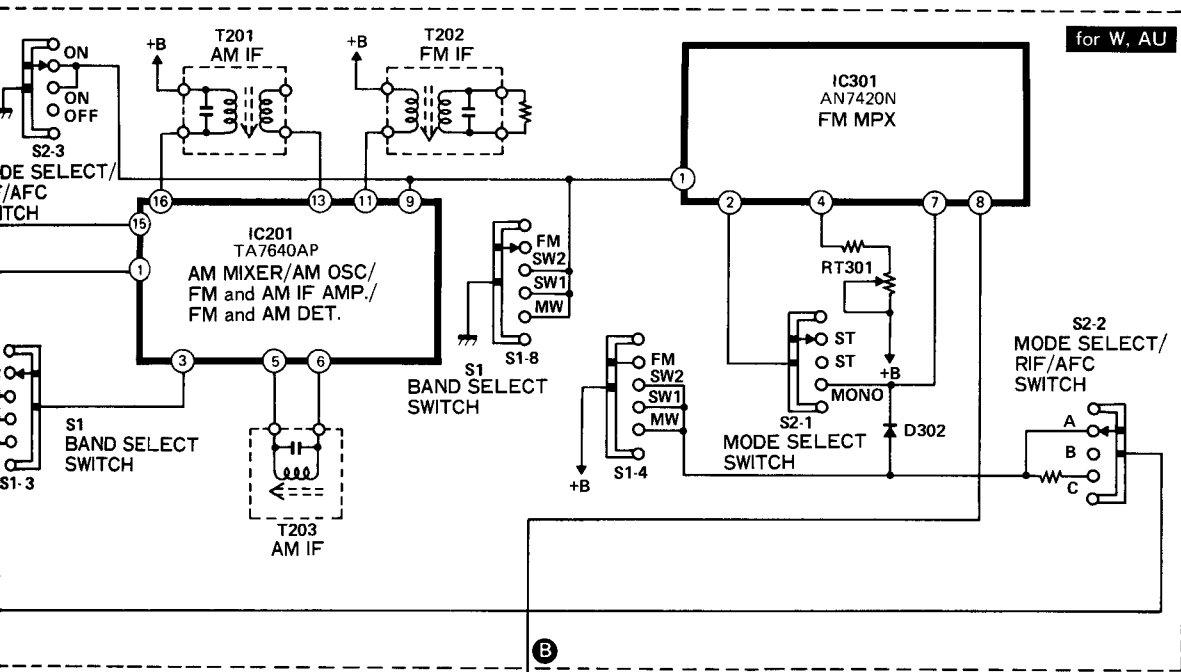
RADIO P.W.B. WHITE

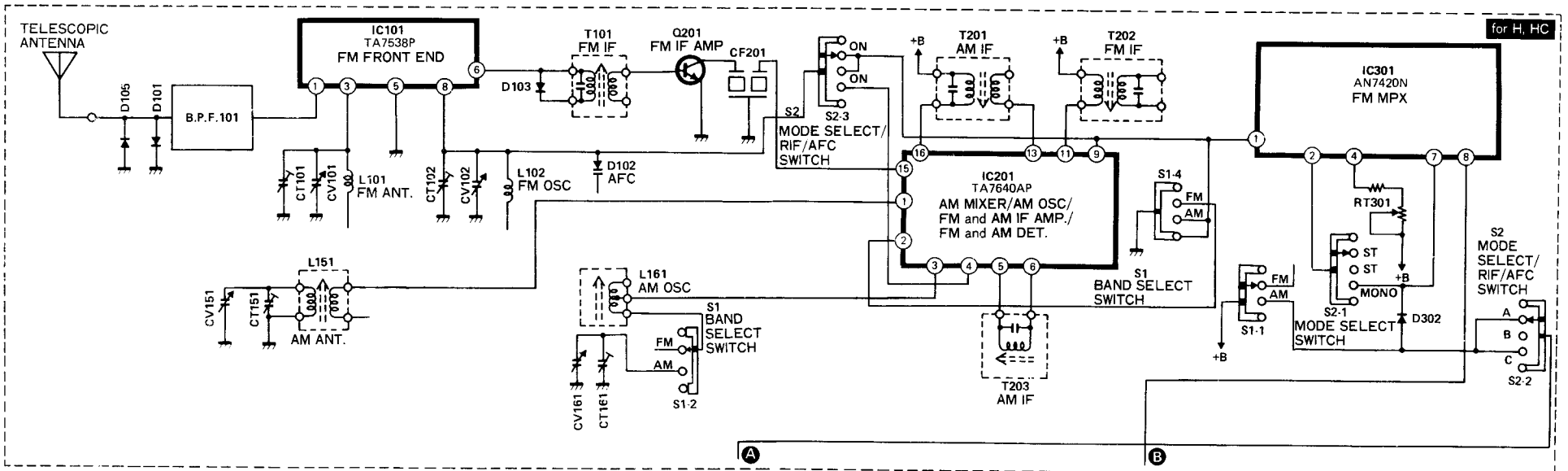
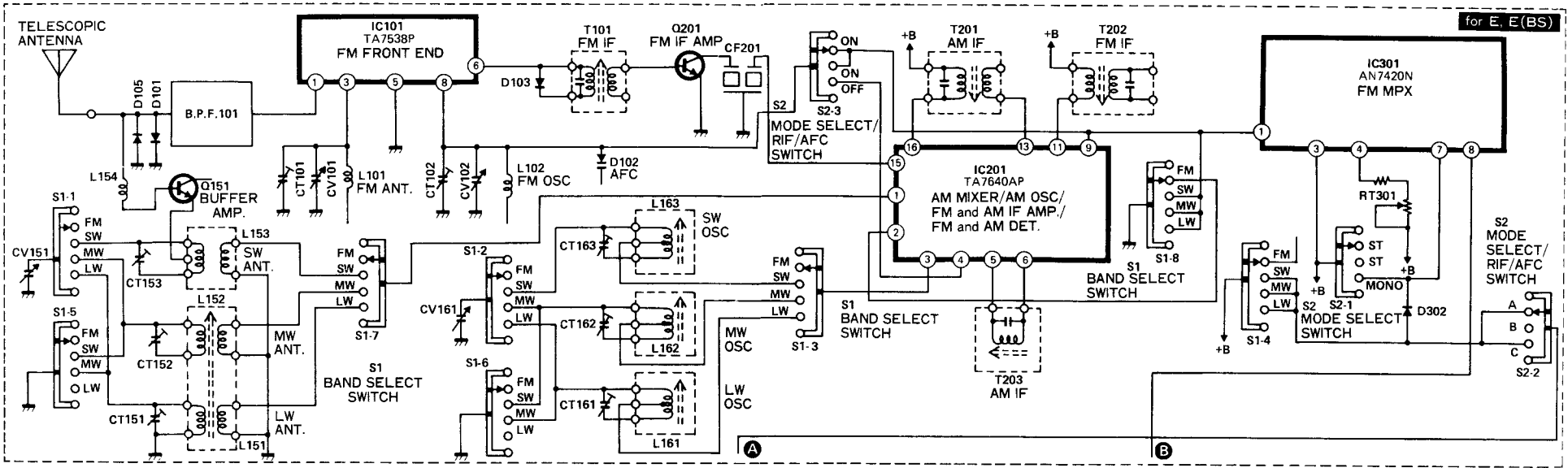




BLOCK DIAGRAM





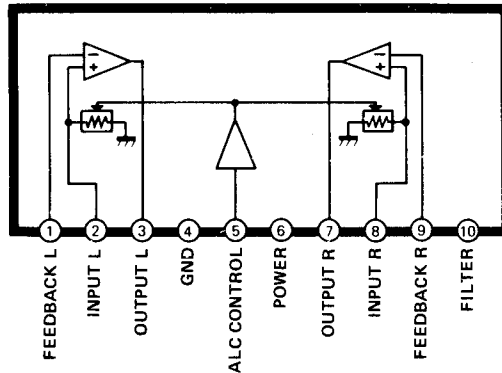
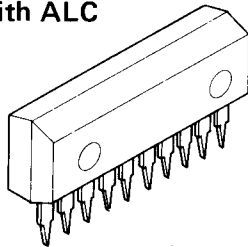


DISCRIPTION OF NEW PARTS

M51544AL (IC451)

Dual front amplifier with ALC

- External form



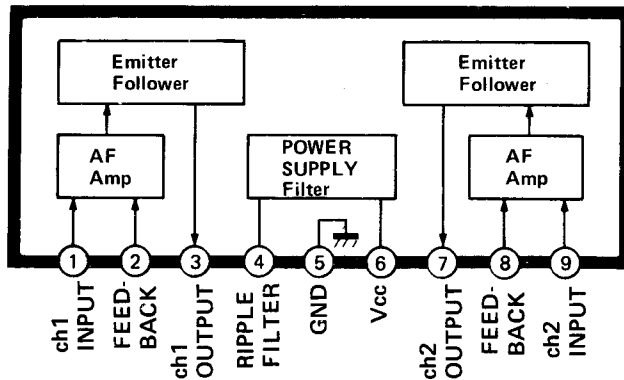
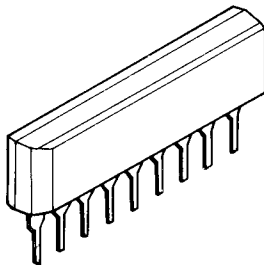
- Maximum rating (Ta=25°C)

| Item | Symbol | Rating |
|------------------------------------|--------|---------------|
| Supply voltage | VCC | 16V |
| Current of power source | ICC | 27mA |
| Allowable loss | PD | 650mW |
| Thermal reduction ratio | Ko | 6.5mW/°C |
| Temperature of operational circuit | Topr | -20 to +75°C |
| Storage temperature | Tstg | -40 to +125°C |

AN7310N (IC751) (for E,E(BS),E(Z))

Dual pre-amplifier

- External form



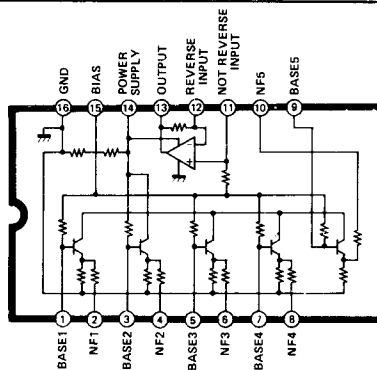
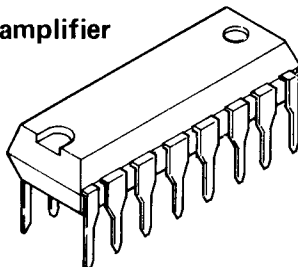
- Maximum rating (Ta=25°C)

| Item | Symbol | Rating |
|------------------------------------|--------|---------------|
| Supply voltage | VCC | 16V |
| Current of power source | ICC | 15mA |
| Allowable loss | PD | 240mW |
| Temperature of operational circuit | Topr | -30 to +75°C |
| Storage temperature | Tstg | -55 to +150°C |

M5226P (IC801L/R)

Graphic equalizer amplifier

- External form



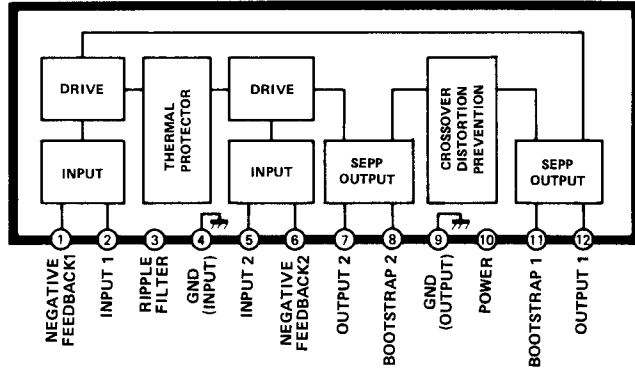
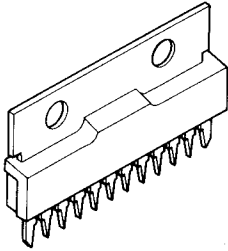
- Maximum rating (Ta=25°C)

| Item | Symbol | Rating |
|------------------------------------|--------|---------------|
| Supply voltage | VCC | 20V |
| Current of power source | ICC | 50mA |
| Allowable loss | PD | 700mW |
| Temperature of operational circuit | Topr | -20 to +75°C |
| Storage temperature | Tstg | -55 to +125°C |

AN7147 (IC501)

Silicon monolithic bipolar IC low-frequency power amplifier

● External form



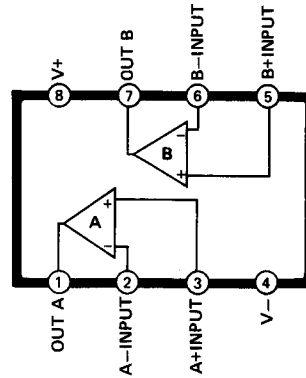
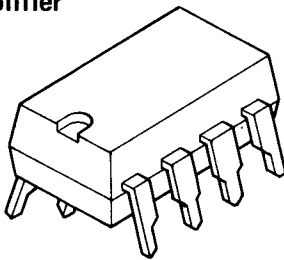
● Maximum rating (Ta=25°C)

| Item | Symbol | Rating |
|--|--------|-----------------------------|
| Supply voltage | VCC | at rest 24V |
| | | at operation 18V |
| Current of power source | ICC | 4.0A |
| Allowable loss | PD | 62.5W |
| Operating ambient atmospheric pressure | Popr | 1.0 ± 0.6kg/cm ² |
| Operating constant acceleration | Gopr | 1,000G |
| Operating impact resistance | Sopr | 500G |
| Temperature of operational circuit | Topr | -30 to +75°C |
| Storage temperature | Tstg | -55 to +150°C |

μPC4558C (IC402) (for E,E(BS),H,HC)

Dual operational amplifier

● External form



● Maximum rating (Ta=25°C)

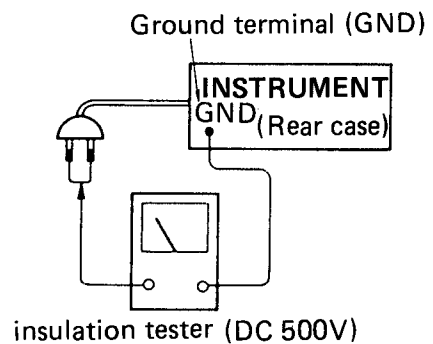
| Item | Symbol | Rating |
|------------------------------------|------------------|---------------|
| Supply voltage | VCC | 36V |
| Full-capacitor loss | P _τ | 350mW |
| Difference movement input voltage | V _{ID} | ±30V |
| In-phase input voltage | V _{ICM} | ±15V |
| Output short circuit time | t _s | ∞ |
| Temperature of operational circuit | T _{opt} | 0 to +70°C |
| Storage temperature | T _{stg} | -55 to +125°C |

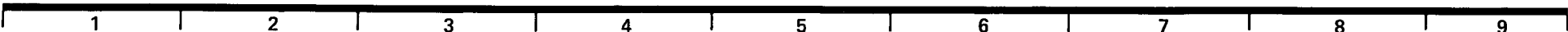
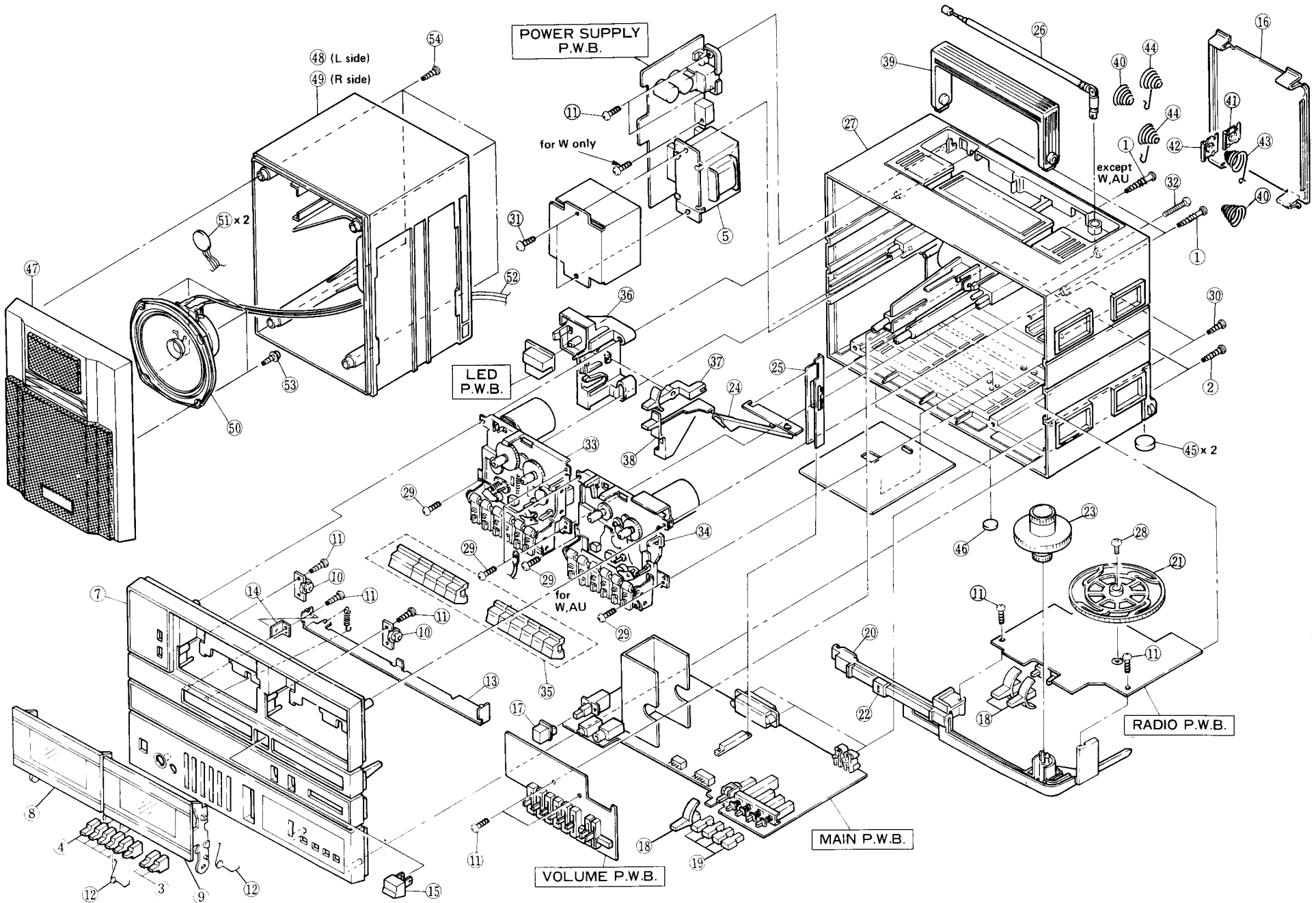
Check that exposed parts are acceptably insulated from the supply circuit before returning the instrument repaired to the customer.

● Checking method

OPERATE switch is set to ON

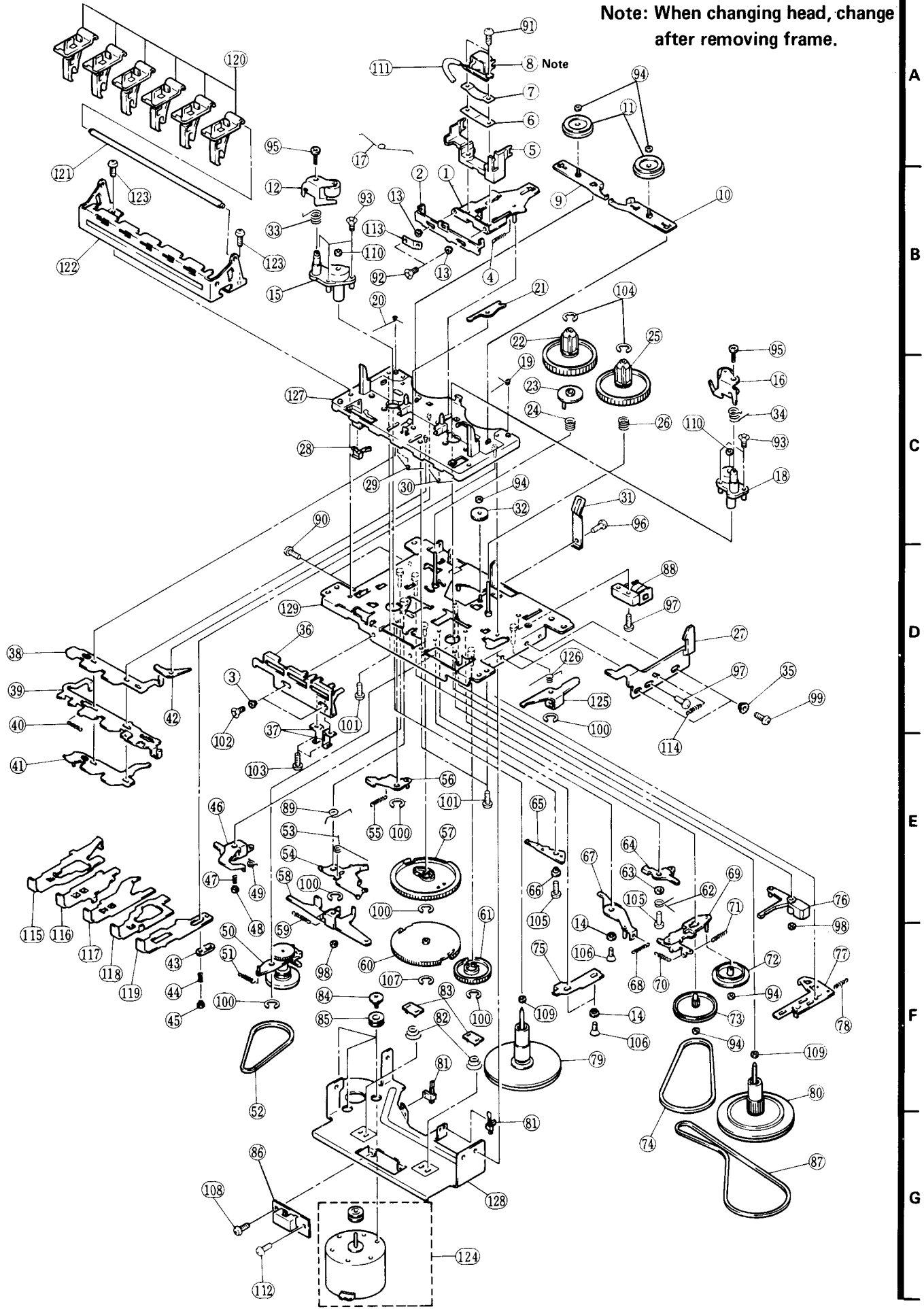
Next, measure the resistance value between the both poles of attachment cup (Power supply plug) and the exposed parts (Parts such as Ground terminal, Knob, Cover, etc where the customer is easy to touch.) and check that the resistance value is 500 kohms or more.





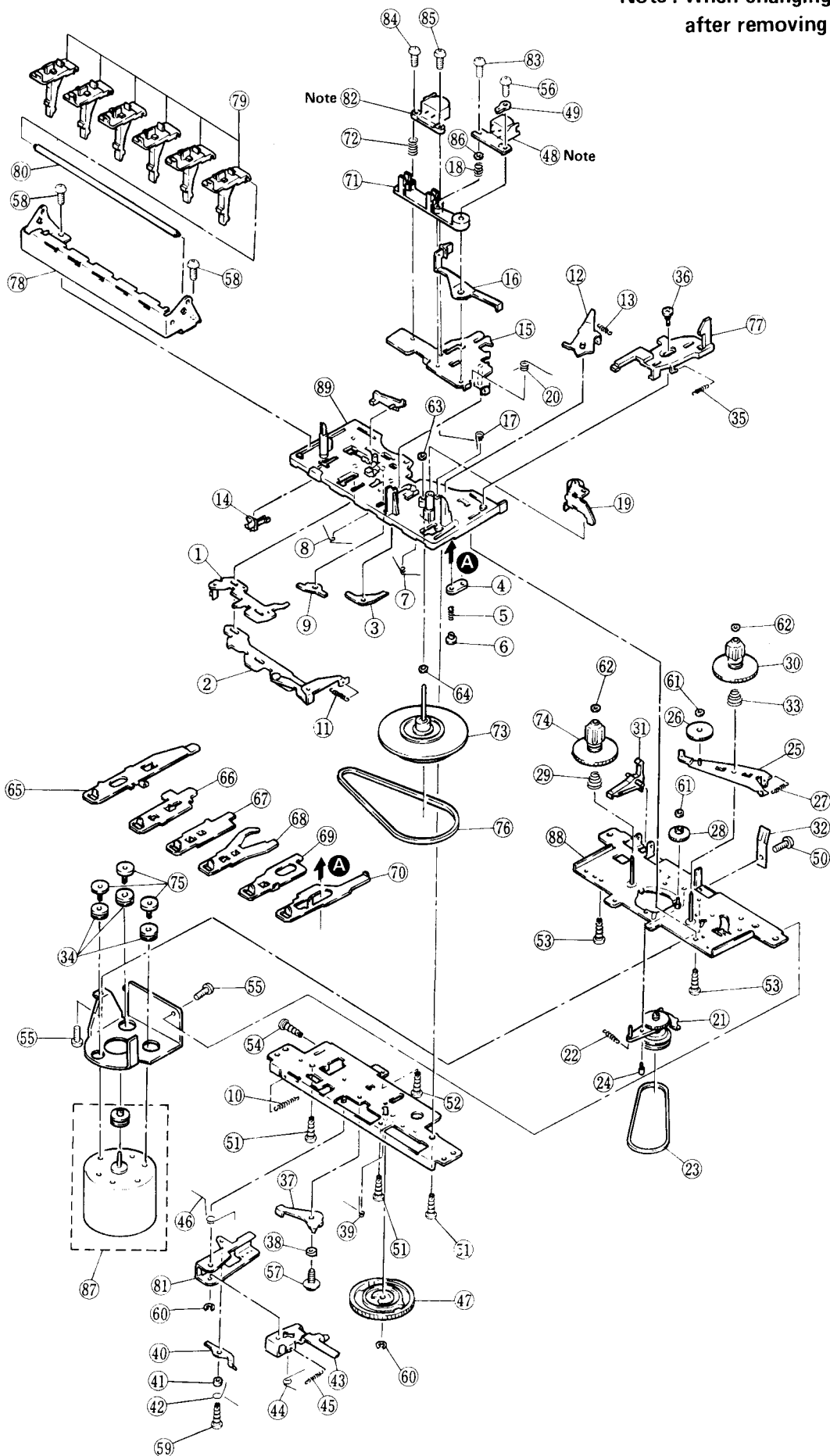
EXPLODED VIEW (Cassette Chassis Assembly) TAPE 1

Note: When changing head, change after removing frame.



EXPLODED VIEW (Cassette Chassis Assembly) TAPE 2

Note : When changing head, change after removing frame.



CC: Cylindrical ceramic MO: Metal oxide PP: Polypropylene
 CF: Carbon film ST: Styrol MF: Mylar film
 FR: Fuse resistor CD: Ceramic discal ME: Metal
 EL: Electrolytic CO: Composition TA: Tantalum

REPLACEMENT PARTS LIST

| SYMBOL NO. | PART NO. | DESCRIPTION | | | | SYMBOL NO. | PART NO. | DESCRIPTION | | | | SYMBOL NO. | PART NO. | DESCRIPTION | | | |
|-------------------|----------|-------------|----------------|--------------|-----|------------|----------|-------------|----------------|--------------|------|------------|----------|-------------|---------|------|----------------|
| CAPACITORS | | | | | | | | | | | | | | | | | |
| C101 | 1248669 | CD | 24PF | ±5% | 50V | C164 | 0279327 | MF | 360PF | ±5% | 100V | C404LR | 0252521 | EL | 10μF | ±20% | 16V |
| | | | [for W, AU] | | | | | | [for W, AU] | | | | | | | | [except W, AU] |
| | 0248667 | CD | 20PF | ±5% | 50V | | 1221392 | ST | 220PF | ±5% | 50V | C405 | 0252325 | EL | 47μF | ±20% | 10V |
| | | | [except W, AU] | | | | | | [for E, E(BS)] | | | C406LR | 0252325 | EL | 47μF | ±20% | 10V |
| C102 | 0248034 | CD | 15PF | ±5% | 50V | C165 | 0268442 | PP | 1500PF | ±5% | 100V | C407LR | 0275013 | MF | 0.022μF | ±10% | 50V |
| | | | [for W, AU] | | | | | | [for W, AU] | | | | | | | | [for W, AU] |
| | 0248334 | CD | 15PF | ±5% | 50V | | 0268321 | MF | 360PF | ±5% | 100V | | 0249763 | CD | 0.022μF | ±20% | 25V |
| | | | [except W, AU] | | | | | | [for E, E(BS)] | | | | | | | | [except W, AU] |
| C103 | 0209731 | CD | 1000PF | ±10% | 50V | C166 | 0268443 | PP | 3900PF | ±5% | 100V | C408LR | 0275012 | MF | 0.015μF | ±10% | 50V |
| C104 | 0208635 | CD | 5PF | ±0.25PF | 50V | | | | [for W, AU] | | | | | | | | [for W, AU] |
| C105 | 1248664 | CD | 15PF | ±5% | 50V | C166 | 0276011 | MF | 0.1μF | ±10% | 50V | C408LR | 0249762 | CD | 0.015μF | ±20% | 25V |
| | | | [for W, AU] | | | | | | [for E, E(BS)] | | | | | | | | [except W, AU] |
| C105 | 0208664 | CD | 15PF | ±5% | 50V | C167 | 0208648 | CD | 8PF | ±0.5PF | 50V | C409 | 0252521 | EL | 10μF | ±20% | 16V |
| | | | [except W, AU] | | | | | | [for E, E(BS)] | | | C410 | 0252325 | EL | 47μF | ±20% | 10V |
| C106 | 1248020 | CD | 10PF | ±0.5PF | 50V | C168 | 0208684 | CD | 100PF | ±5% | 50V | C411LR | 0252521 | EL | 10μF | ±20% | 16V |
| | | | [for W, AU] | | | | | | [for E, E(BS)] | | | C412LR | 1252813 | EL | 3.3μF | ±20% | 50V |
| | 0248020 | CD | 10PF | ±0.5PF | 50V | C169 | 0249765 | CD | 0.047μF | ±20% | 50V | | 0252813 | EL | 3.3μF | ±20% | 50V |
| | | | [except W, AU] | | | C201 | 0208692 | CD | 220PF | ±5% | 50V | | | | | | [except W, AU] |
| C107 | 0249731 | CD | 1000PF | ±10% | 50V | C203 | 0252805 | EL | 0.47μF | ±20% | 50V | C413LR | 0275013 | MF | 0.022μF | ±10% | 50V |
| | | | [for W, AU] | | | C204 | 0252521 | EL | 10μF | ±20% | 16V | | | | | | [for W, AU] |
| | 0209731 | CD | 1000PF | ±10% | 50V | C205 | 0252322 | EL | 22μF | ±20% | 10V | | 0249763 | CD | 0.022μF | ±20% | 25V |
| | | | [except W, AU] | | | C206 | 0209173 | CD | 0.022μF | +80% -20% | 50V | | | | | | [except W, AU] |
| C108 | 0209731 | CD | 1000PF | ±10% | 50V | C206 | 0209173 | CD | 0.022μF | +80% -20% | 50V | C420LR | 1252811 | EL | 1μF | ±20% | 50V |
| C109 | 0252325 | EL | 47μF | ±20% | 10V | C207 | 0275015 | MF | 0.047μF | ±10% | 50V | | | | | | [for W, AU] |
| C110 | 1248650 | CD | 10PF | ±0.5PF | 50V | | | | [for W, AU] | | | | 0252811 | EL | 1μF | ±20% | 50V |
| | | | [for W, AU] | | | | | | [for E, E(BS)] | | | | | | | | [except W, AU] |
| | 0208650 | CD | 10PF | ±0.5PF | 50V | C208 | 0208692 | CD | 220PF | ±5% | 50V | C432LR | 0252801 | EL | 0.1μF | ±20% | 50V |
| | | | [except W, AU] | | | C209 | 0209173 | CD | 0.022μF | +80% -20% | 50V | C451LR | 0252521 | EL | 10μF | ±20% | 16V |
| C111 | 0209731 | CD | 1000PF | ±10% | 50V | C210 | 0252331 | EL | 100μF | ±20% | 10V | C453LR | 0252521 | EL | 10μF | ±20% | 16V |
| C112 | 0209737 | CD | 0.01μF | ±10% | 50V | C211 | 0209173 | CD | 0.022μF | +80% -20% | 50V | C454LR | 1275013 | MF | 0.022μF | ±10% | 50V |
| C113 | 0209737 | CD | 0.01μF | ±10% | 50V | C212 | 0275011 | MF | 0.01μF | ±10% | 50V | | | | | | [for W, AU] |
| C151 | 1248650 | CD | 10PF | ±0.5PF | 50V | C214 | 0209737 | CD | 0.01μF | ±10% | 50V | 0249763 | CD | 0.022μF | ±20% | 25V | |
| | | | [for W, AU] | | | C301 | 0252813 | EL | 3.3μF | ±20% | 50V | | | | | | [except W, AU] |
| | 0208678 | CD | 56PF | ±5% | 50V | C302 | 0252811 | EL | 1μF | ±20% | 50V | C455LR | 0275013 | MF | 0.022μF | ±10% | 50V |
| | | | [for E, E(BS)] | | | C303 | 0252813 | EL | 3.3μF | ±20% | 50V | | | | | | [for W, AU] |
| C152 | 1248647 | CD | 7PF | ±0.5PF | 50V | C304 | 0252325 | EL | 47μF | ±20% | 10V | | 0249763 | CD | 0.022μF | ±20% | 25V |
| | | | [for W, AU] | | | C305 | 0268446 | PP | 1000PF | ±5% | 100V | C456LR | 0275012 | MF | 0.015μF | ±10% | 50V |
| | 0208650 | CD | 10PF | ±0.5PF | 50V | C306 | 0252521 | EL | 10μF | ±20% | 16V | | | | | | [for W, AU] |
| | | | [for E, E(BS)] | | | | | | [for E, E(BS)] | | | | 0249762 | CD | 0.015μF | ±20% | 25V |
| C153 | 0208664 | CD | 15PF | ±5% | 50V | C307LR | 0249763 | CD | 0.022μF | ±20% | 25V | | | | | | [except W, AU] |
| | | | [for E, E(BS)] | | | | | | [for H, HC] | | | C457LR | 0252521 | EL | 10μF | ±20% | 16V |
| C154 | 0208635 | CD | 5PF | ±0.25PF | 50V | | | | [for H, HC] | | | C458 | 0252325 | EL | 47μF | ±20% | 10V |
| | | | [except H, HC] | | | | | | [for E, E(BS)] | | | C459 | 0252325 | EL | 47μF | ±20% | 10V |
| C155 | 0209737 | CD | 0.01μF | ±10% | 50V | | 0249762 | CD | 0.015μF | ±20% | 25V | C460 | 0252325 | EL | 47μF | ±20% | 10V |
| | | | [except H, HC] | | | | | | [for W, AU] | | | C461LR | 0275033 | MF | 0.027μF | ±10% | 50V |
| C156 | 0209175 | CD | 0.047μF | +80% -20% | 50V | | 0275013 | MF | 0.022μF | ±10% | 50V | C462 | 0252325 | EL | 47μF | ±20% | 10V |
| C157 | 0209737 | CD | 0.01μF | ±10% | 50V | C308LR | 0275014 | MF | 0.033μF | ±10% | 50V | C463LR | 0240037 | CC | 220PF | ±10% | 50V |
| | | | [for E, E(BS)] | | | | | | [for W, AU] | | | C465 | 0240045 | CC | 1000PF | ±10% | 50V |
| C158 | 0208647 | CD | 7PF | ±0.5PF | 50V | | 0249764 | CD | 0.033μF | ±20% | 25V | C466 | 0209732 | CD | 1500PF | ±10% | 50V |
| | | | [for E, E(BS)] | | | | | | [except W, AU] | | | C468LR | 0275031 | MF | 0.012μF | ±10% | 50V |
| C161 | 0246413 | CD | 3PF | ±0.25PF | 50V | C309LR | 1239425 | CD | 4700PF | ±10% | 50V | C469 | 0252805 | EL | 0.47μF | ±20% | 50V |
| | | | [for H, HC] | | | | | | [for W, AU] | | | | | | | | [except W, AU] |
| | 1248666 | CD | 18PF | ±5% | 50V | | 0244109 | CD | 4700PF | ±10% | 50V | C470 | 0252805 | EL | 0.47μF | ±20% | 50V |
| | | | [for W, AU] | | | | | | [except W, AU] | | | | | | | | [except W, AU] |
| | 0208674 | CD | 39PF | ±5% | 50V | C310 | 0209737 | CD | 0.01μF | ±10% | 50V | C481 | 0252615 | EL | 4.7μF | ±20% | 25V |
| | | | [for E, E(BS)] | | | C401LR | 0240044 | CC | 820PF | ±10% | 50V | C482 | 0252805 | EL | 0.47μF | ±20% | 50V |
| C162 | 0208662 | CD | 12PF | ±5% | 50V | C402LR | 0252521 | EL | 10μF | ±20% | 16V | C483 | 0252332 | EL | 220μF | ±20% | 10V |
| | | | [for W, AU] | | | C403LR | 0240045 | CC | 1000PF | ±10% | 50V | C484 | 0240039 | CC | 330PF | ±10% | 50V |
| | 0208666 | CD | 18PF | ±5% | 50V | C404L | 1252521 | EL | 10μF | ±20% | 16V | C485 | 0275014 | MF | 0.033μF | ±10% | 50V |
| | | | [for E, E(BS)] | | | | | | [for W, AU] | | | | | | | | [for W, AU] |
| C163 | 1248661 | CD | 11PF | ±5% | 50V | | | | [for W, AU] | | | | 0249764 | CD | 0.033μF | ±20% | 25V |
| | | | [for W, AU] | | | C404R | 0252521 | EL | 10μF | ±20% | 16V | | | | | | [except W, AU] |
| C163 | 0208666 | CD | 18PF | ±5% | 50V | | | | [for W, AU] | | | C491LR | 0252615 | EL | 4.7μF | ±20% | 25V |
| | | | [for E, E(BS)] | | | | | | | | | C492LR | 0252615 | EL | 4.7μF | ±20% | 25V |

| SYMBOL NO. | PART NO. | DESCRIPTION | | | |
|------------|----------|-------------|----------------|--------------|---------|
| | | EL | Value | Tolerance | Voltage |
| C493L | 1252615 | EL | 4.7μF | ±20% | 25V |
| | | | [for W, AU] | | |
| C493R | 0252615 | EL | 4.7μF | ±20% | 25V |
| | | | [for W, AU] | | |
| C493LR | 0252615 | EL | 4.7μF | ±20% | 25V |
| | | | [except W, AU] | | |
| C494 | 0252325 | EL | 47μF | ±20% | 10V |
| C501 | 1252335 | EL | 470μF | ±20% | 10V |
| | | | [for W, AU] | | |
| C501 | 0252335 | EL | 470μF | ±20% | 10V |
| | | | [except W, AU] | | |
| C502LR | 0252331 | EL | 100μF | ±20% | 10V |
| C503 | 1252813 | EL | 100μF | ±20% | 25V |
| | | | [for W, AU] | | |
| | 0252631 | EL | 100μF | ±20% | 25V |
| | | | [except W, AU] | | |
| C504LR | 0252525 | EL | 47μF | ±20% | 16V |
| C505LR | 1252542 | EL | 2200μF | ±20% | 16V |
| | | | [for W, AU] | | |
| C505LR | 0252542 | EL | 2200μF | ±20% | 16V |
| | | | [except W, AU] | | |
| C506LR | 0276013 | MF | 0.22μF | ±10% | 50V |
| C507 | 1252813 | EL | 100μF | ±20% | 25V |
| | | | [for W, AU] | | |
| | 0252631 | EL | 100μF | ±20% | 25V |
| | | | [except W, AU] | | |
| C508 | 1252333 | EL | 330μF | ±20% | 10V |
| | | | [for W, AU] | | |
| C508 | 0252333 | EL | 330μF | ±20% | 10V |
| | | | [except W, AU] | | |
| C509LR | 1239411 | CD | 560PF | ±10% | 50V |
| | | | [for W, AU] | | |
| | 0249724 | CD | 560PF | ±10% | 25V |
| | | | [except W, AU] | | |
| C510 | 1252521 | EL | 10μF | ±20% | 16V |
| | | | [for W, AU] | | |
| | 0252521 | EL | 10μF | ±20% | 16V |
| | | | [except W, AU] | | |
| C511 | 0244141 | CD | 0.01μF | ±10% | 50V |
| | | | [except W, AU] | | |
| C601 | 1259840 | EL | 2200μF | ±20% | 25V |
| | | | [for W, AU] | | |
| | 0256648 | EL | 2200μF | ±20% | 25V |
| | | | [except W, AU] | | |
| C602 | 1259840 | EL | 2200μF | ±20% | 25V |
| | | | [for W, AU] | | |
| | 0256648 | EL | 2200μF | ±20% | 25V |
| | | | [except W, AU] | | |
| C603 | 0209173 | CD | 0.022μF | +80% -20% | 50V |
| C604 | 0209173 | CD | 0.022μF | +80% -20% | 50V |
| C651 | 0252531 | EL | 100μF | ±20% | 16V |
| C652 | 0252813 | EL | 3.3μF | ±20% | 50V |
| C701 | 0275015 | MF | 0.047μF | ±10% | 50V |
| | | | [for W, AU] | | |
| | 0249765 | CD | 0.047μF | ±20% | 25V |
| | | | [except W, AU] | | |
| C702 | 1252873 | EL | 0.22μF | ±20% | 50V |
| | | | [for W, AU] | | |
| | 0252802 | EL | 0.22μF | ±10% | 50V |
| | | | [except W, AU] | | |
| C703 | 0252805 | EL | 0.47μF | ±20% | 50V |
| C704 | 1252813 | EL | 3.3μF | ±20% | 50V |
| | | | [for W, AU] | | |

| SYMBOL NO. | PART NO. | DESCRIPTION | | | |
|------------------|----------|-------------|----------------|-----------|---------|
| | | EL | Value | Tolerance | Voltage |
| C704 | 0252813 | EL | 3.3μF | ±20% | 50V |
| | | | [except W, AU] | | |
| C705 | 0252813 | EL | 3.3μF | ±20% | 50V |
| C706 | 0252325 | EL | 47μF | ±20% | 10V |
| C707 | 0252325 | EL | 47μF | ±20% | 10V |
| C751 | 0252325 | EL | 47μF | ±20% | 10V |
| | | | [for E, E(BS)] | | |
| C752 | 0252521 | EL | 10μF | ±20% | 16V |
| | | | [for E, E(BS)] | | |
| C753LR | 0249764 | CD | 0.033μF | ±20% | 25V |
| | | | [for E, E(BS)] | | |
| C754LR | 0244171 | CC | 0.01μF | ±10% | 50V |
| | | | [for E, E(BS)] | | |
| C755LR | 0252322 | EL | 22μF | ±20% | 10V |
| | | | [for E, E(BS)] | | |
| C756LR | 0252811 | EL | 1μF | ±20% | 50V |
| | | | [for E, E(BS)] | | |
| C757LR | 0209161 | CC | 1000PF | ±10% | 50V |
| | | | [for E, E(BS)] | | |
| C758LR | 0252615 | EL | 4.7μF | ±20% | 25V |
| | | | [for E, E(BS)] | | |
| C801LR | 0252322 | EL | 22μF | ±20% | 10V |
| C802LR | 0252521 | EL | 10μF | ±20% | 16V |
| C803LR | 0240045 | CC | 1000PF | ±10% | 50V |
| C804 | 0252325 | EL | 47μF | ±20% | 10V |
| C805LR | 0240039 | CC | 330PF | ±10% | 50V |
| C806LR | 0240059 | CC | 6800PF | ±30% | 16V |
| C807LR | 0240045 | CC | 1000PF | ±10% | 50V |
| C808LR | 0275013 | MF | 0.022μF | ±10% | 50V |
| | | | [for W, AU] | | |
| | 0249763 | CD | 0.022μF | ±20% | 25V |
| | | | [except W, AU] | | |
| C809LR | 0240056 | CC | 3900PF | ±30% | 16V |
| C810LR | 0275016 | MF | 0.068μF | ±10% | 50V |
| C811LR | 0209027 | CC | 0.015μF | ±30% | 25V |
| C812LR | 0252803 | EL | 0.33μF | ±20% | 50V |
| C813LR | 0275015 | MF | 0.047μF | ±10% | 50V |
| | | | [for W, AU] | | |
| C813LR | 0249765 | CD | 0.047μF | ±20% | 25V |
| | | | [except W, AU] | | |
| C814LR | 0252811 | EL | 1μF | ±20% | 50V |
| RESISTORS | | | | | |
| R101 | 0113623 | CF | 2.2kΩ | ±5% | SRD1/6P |
| | | | [for W, AU] | | |
| | 0113619 | CF | 1.5kΩ | ±5% | SRD1/6P |
| | | | [except W, AU] | | |
| R102 | 0113639 | CF | 10kΩ | ±5% | SRD1/6P |
| R103 | 0113663 | CF | 100kΩ | ±5% | SRD1/6P |
| R104 | 0113603 | CF | 330Ω | ±5% | SRD1/6P |
| R151 | 0113679 | CF | 470kΩ | ±5% | SRD1/6P |
| | | | [for E, E(BS)] | | |
| R152 | 0113591 | CF | 100Ω | ±5% | SRD1/6P |
| | | | [for E, E(BS)] | | |
| R161 | 0113611 | CF | 680Ω | ±5% | SRD1/6P |
| | | | [for H, HC] | | |
| | 0113649 | CF | 27kΩ | b5% | SRD1/6P |
| | | | [for E, E(BS)] | | |
| | 0113631 | CF | 4.7kΩ | ±5% | SRD1/6P |
| | | | [for W, AU] | | |
| R162 | 0113631 | CF | 4.7kΩ | ±5% | SRD1/6P |
| | | | [for E, E(BS)] | | |
| | 0113639 | CF | 10kΩ | ±5% | SRD1/6P |
| | | | [for W, AU] | | |

| SYMBOL NO. | PART NO. | DESCRIPTION | | | |
|------------|----------|-------------|----------------|-----------|---------|
| | | CF | Value | Tolerance | Notes |
| R163 | 0113645 | CF | 18kΩ | ±5% | SRD1/6P |
| | | | [for E, E(BS)] | | |
| | 0113647 | CF | 22kΩ | ±5% | SRD1/6P |
| | | | [for W, AU] | | |
| R164 | 0113583 | CF | 47Ω | ±5% | SRD1/6P |
| R201 | 0113679 | CF | 470kΩ | ±5% | SRD1/6P |
| R202 | 0113587 | CF | 68Ω | ±5% | SRD1/6P |
| R203 | 0113615 | CF | 1kΩ | ±5% | SRD1/6P |
| R204 | 0113671 | CF | 220kΩ | ±5% | SRD1/6P |
| R205 | 0113643 | CF | 15kΩ | ±5% | SRD1/6P |
| R206 | 0113607 | CF | 470Ω | ±5% | SRD1/6P |
| R207 | 0113599 | CF | 220Ω | ±5% | SRD1/6P |
| R208 | 0113669 | CF | 180kΩ | ±5% | SRD1/6P |
| R209 | 0113667 | CF | 150kΩ | ±5% | SRD1/6P |
| R301 | 0113615 | CF | 1kΩ | ±5% | SRD1/6P |
| R302 | 0113639 | CF | 10kΩ | ±5% | SRD1/6P |
| R303 | 0113671 | CF | 220kΩ | ±5% | SRD1/6P |
| R304LR | 0113627 | CF | 3.3kΩ | ±5% | SRD1/6P |
| R305LR | 0113651 | CF | 33kΩ | ±5% | SRD1/6P |
| R306LR | 0113631 | CF | 4.7kΩ | ±5% | SRD1/6P |
| R307 | 0119049 | ME | 47Ω | ±10% | RN1B |
| | | | [for W, AU] | | |
| | 1119409 | ME | 47Ω | ±5% | RN1B |
| | | | [except W, AU] | | |
| R308 | 0113609 | CF | 560Ω | ±5% | SRD1/6P |
| R309 | 0113613 | CF | 820Ω | ±5% | SRD1/6P |
| R310 | 0113633 | CF | 5.6kΩ | ±5% | SRD1/6P |
| R401LR | 0113651 | CF | 33kΩ | ±5% | SRD1/6P |
| R402LR | 0113651 | CF | 33kΩ | ±5% | SRD1/6P |
| R403LR | 0113591 | CF | 100Ω | ±5% | SRD1/6P |
| R404LR | 0113633 | CF | 5.6kΩ | ±5% | SRD1/6P |
| R405LR | 0113667 | CF | 150kΩ | ±5% | SRD1/6P |
| R406LR | 0113631 | CF | 4.7kΩ | ±5% | SRD1/6P |
| R407LR | 0113631 | CF | 4.7kΩ | ±5% | SRD1/6P |
| R410LR | 0113639 | CF | 10kΩ | ±5% | SRD1/6P |
| R411 | 0113639 | CF | 10kΩ | ±5% | SRD1/6P |
| R412 | 0113633 | CF | 5.6kΩ | ±5% | SRD1/6P |
| R413LR | 0113663 | CF | 100kΩ | ±5% | SRD1/6P |
| R414LR | 0113633 | CF | 5.6kΩ | ±5% | SRD1/6P |
| R415LR | 0113637 | CF | 8.2kΩ | ±5% | SRD1/6P |
| R416 | 0113599 | CF | 220Ω | ±5% | SRD1/6P |
| R417 | 0113599 | CF | 220Ω | ±5% | SRD1/6P |
| R418LR | 0113641 | CF | 12kΩ | ±5% | SRD1/6P |
| R419LR | 0113623 | CF | 2.2kΩ | ±5% | SRD1/6P |
| R420LR | 0113639 | CF | 10kΩ | ±5% | SRD1/6P |
| R421LR | 0113635 | CF | 6.8kΩ | ±5% | SRD1/6P |
| R422L | 0129886 | CF | 4.7kΩ | ±5% | SRD1/4P |
| | | | [for W, AU] | | |
| R422R | 0113631 | CF | 4.7kΩ | ±5% | SRD1/6P |
| | | | [for W, AU] | | |
| R422LR | 0113631 | CF | 4.7kΩ | ±5% | SRD1/6P |
| | | | [except W, AU] | | |
| R423LR | 0113631 | CF | 4.7kΩ | ±5% | SRD1/6P |
| R424 | 0113651 | CF | 33kΩ | ±5% | SRD1/6P |
| R425LR | 0113633 | CF | 5.6kΩ | ±5% | SRD1/6P |
| R432LR | 0113625 | CF | 2.7kΩ | ±5% | SRD1/6P |
| R441LR | 0113655 | CF | 47kΩ | ±5% | SRD1/6P |
| | | | [for W, AU] | | |

| SYMBOL NO. | PART NO. | DESCRIPTION | | | |
|------------|----------|-------------|----------------|-----|---------|
| R442LR | 0113615 | CF | 1kΩ | ±5% | SRD1/6P |
| | | | [for W, AU] | | |
| R443LR | 0113655 | CF | 47kΩ | ±5% | SRD1/6P |
| R444LR | 0113615 | CF | 1kΩ | ±5% | SRD1/6P |
| R445LR | 0113625 | CF | 2.7kΩ | ±5% | SRD1/6P |
| | | | [for W, AU] | | |
| R446LR | 0113627 | CF | 3.3kΩ | ±5% | SRD1/6P |
| R454LR | 0113655 | CF | 47kΩ | ±5% | SRD1/6P |
| R455LR | 0113617 | CF | 1.2kΩ | ±5% | SRD1/6P |
| R456LR | 0113583 | CF | 47Ω | ±5% | SRD1/6P |
| R457LR | 0113619 | CF | 1.5kΩ | ±5% | SRD1/6P |
| R458LR | 0113639 | CF | 10kΩ | ±5% | SRD1/6P |
| R459LR | 0113639 | CF | 10kΩ | ±5% | SRD1/6P |
| R460 | 0113687 | CF | 1MΩ | ±5% | SRD1/6P |
| R461LR | 0113627 | CF | 3.3kΩ | ±5% | SRD1/6P |
| R462LR | 0113633 | CF | 5.6kΩ | ±5% | SRD1/6P |
| R463LR | 0113637 | CF | 8.2kΩ | ±5% | SRD1/6P |
| R464 | 0113595 | CF | 150Ω | ±5% | SRD1/6P |
| R465 | 0113615 | CF | 1kΩ | ±5% | SRD1/6P |
| R466 | 0113615 | CF | 1kΩ | ±5% | SRD1/6P |
| △R468 | 1110601 | FR | 10Ω | ±5% | RN1/4B |
| R469 | 0113595 | CF | 150Ω | ±5% | SRD1/6P |
| R472LR | 0113623 | CF | 2.2kΩ | ±5% | SRD1/6P |
| R473 | 0129884 | CF | 3.9kΩ | ±5% | SRD1/4P |
| R481 | 0113575 | CF | 22Ω | ±5% | SRD1/6P |
| R482 | 0113675 | CF | 330kΩ | ±5% | SRD1/6P |
| R483 | 0113619 | CF | 1.5kΩ | ±5% | SRD1/6P |
| R484LR | 0113645 | CF | 18kΩ | ±5% | SRD1/6P |
| R485 | 0113615 | CF | 1kΩ | ±5% | SRD1/6P |
| R491LR | 0113661 | CF | 82kΩ | ±5% | SRD1/6P |
| R492LR | 0113663 | CF | 100kΩ | ±5% | SRD1/6P |
| R493LR | 0113631 | CF | 4.7kΩ | ±5% | SRD1/6P |
| R494LR | 0113655 | CF | 47kΩ | ±5% | SRD1/6P |
| R496 | 0113595 | CF | 150Ω | ±5% | SRD1/6P |
| R497LR | 0113615 | CF | 1kΩ | ±5% | SRD1/6P |
| R501 | 0113297 | CF | 680Ω | ±5% | SRD1/2P |
| R502LR | 0129509 | CF | 2.2Ω | ±5% | SRD1/4P |
| R503LR | 0113291 | CF | 220kΩ | ±5% | SRD1/2P |
| R504LR | 0113591 | CF | 100Ω | ±5% | SRD1/6P |
| R505LR | 0113633 | CF | 5.6kΩ | ±5% | SRD1/6P |
| R506 | 0113629 | CF | 3.9kΩ | ±5% | SRD1/6P |
| R507 | 0113641 | CF | 12kΩ | ±5% | SRD1/6P |
| R509 | 0113643 | CF | 15kΩ | ±5% | SRD1/6P |
| R510 | 0113631 | CF | 4.7kΩ | ±5% | SRD1/6P |
| R511 | 0113621 | CF | 1.8kΩ | ±5% | SRD1/6P |
| R651 | 0129581 | CF | 680Ω | ±5% | SRD1/4P |
| R652 | 0113643 | CF | 15kΩ | ±5% | SRD1/6P |
| | | | [for W, AU] | | |
| | 0113639 | CF | 10kΩ | ±5% | SRD1/6P |
| | | | [except W, AU] | | |
| R653 | 0113633 | CF | 5.6kΩ | ±5% | SRD1/6P |
| R654 | 0113633 | CF | 5.6kΩ | ±5% | SRD1/6P |
| R655 | 0113639 | CF | 10kΩ | ±5% | SRD1/6P |
| △R656 | 1113821 | FR | 2.2Ω | ±5% | RN1/2B |
| R657 | 0113643 | CF | 15kΩ | ±5% | SRD1/6P |
| | | | [for W, AU] | | |
| | 0113639 | CF | 10kΩ | ±5% | SRD1/6P |
| | | | [except W, AU] | | |
| R658 | 0113635 | CF | 6.8kΩ | ±5% | SRD1/6P |
| | | | [for W, AU] | | |
| R658 | 0113633 | CF | 5.6kΩ | ±5% | SRD1/6P |
| | | | [except W, AU] | | |

| SYMBOL NO. | PART NO. | DESCRIPTION | | | |
|------------|----------|-------------|----------------|-----|---------|
| R659 | 0113635 | CF | 6.8kΩ | ±5% | SRD1/6P |
| | | | [for W, AU] | | |
| | 0113633 | CF | 5.6kΩ | ±5% | SRD1/6P |
| | | | [except W, AU] | | |
| R660 | 0129583 | CF | 820Ω | ±5% | SRD1/4P |
| R701LR | 0113639 | CF | 10kΩ | ±5% | SRD1/6P |
| R702 | 0113633 | CF | 5.6kΩ | ±5% | SRD1/6P |
| R703 | 0113673 | CF | 270kΩ | ±5% | SRD1/6P |
| R704 | 0113633 | CF | 5.6kΩ | ±5% | SRD1/6P |
| R705 | 0113599 | CF | 220Ω | ±5% | SRD1/6P |
| R706 | 0113639 | CF | 10kΩ | ±5% | SRD1/6P |
| R707 | 0113625 | CF | 2.7kΩ | ±5% | SRD1/6P |
| R708 | 0113663 | CF | 100kΩ | ±5% | SRD1/6P |
| R709 | 0113635 | CF | 6.8kΩ | ±5% | SRD1/6P |
| △R710 | 1113830 | FR | 10Ω | ±5% | RN1/2B |
| R751 | 0113595 | CF | 150Ω | ±5% | SRD1/6P |
| | | | [for E, E(BS)] | | |
| R752LR | 0113661 | CF | 82kΩ | ±5% | SRD1/6P |
| | | | [for E, E(BS)] | | |
| R753LR | 0113631 | CF | 4.7kΩ | ±5% | SRD1/6P |
| | | | [for E, E(BS)] | | |
| R754LR | 0113599 | CF | 220Ω | ±5% | SRD1/6P |
| | | | [for E, E(BS)] | | |
| R755LR | 0113655 | CF | 47kΩ | ±5% | SRD1/6P |
| | | | [for H, HC] | | |
| | 0113633 | CF | 5.6kΩ | ±5% | SRD1/6P |
| | | | [for E, E(BS)] | | |
| R756LR | 0113615 | CF | 1kΩ | ±5% | SRD1/6P |
| | | | [except W, AU] | | |
| R757LR | 0113625 | CF | 2.7kΩ | ±5% | SRD1/6P |
| | | | [except W, AU] | | |
| R758LR | 0113649 | CF | 27kΩ | ±5% | SRD1/6P |
| | | | [for E, E(BS)] | | |
| R759LR | 0113645 | CF | 18kΩ | ±5% | SRD1/6P |
| | | | [for E, E(BS)] | | |
| R760LR | 0113615 | CF | 1kΩ | ±5% | SRD1/6P |
| | | | [for E, E(BS)] | | |
| R932LR | 0113639 | CF | 10kΩ | ±5% | SRD1/6P |

ICs & TRANSISTORS

| | | |
|---------|---------|--------------------------|
| IC101 | 2398201 | TA7358P |
| IC201 | 2389511 | TA7640AP |
| IC301 | 2397521 | AN7420 |
| IC401 | 2388891 | BA3408 |
| IC402 | 2387301 | M5218P [for W, AU] |
| | 2300831 | μPC4558C [except W, AU] |
| IC451 | 2300671 | M51544AL |
| IC501 | 2300641 | AN7147 |
| IC701 | 2397561 | LA2010 |
| IC751 | 2300821 | AN7310 [for E, E(BS)] |
| IC801LR | 2389451 | M5226P |
| Q151 | 2319081 | HIT9011H [for E, E(BS)] |
| Q201 | 2329323 | 2SC460C [for W, AU] |
| | 2319081 | HIT9011H [except W, AU] |
| Q401LR | 2328652 | 2SC1740LN(S) |
| Q403LR | 2328652 | 2SC1740LN(S) |
| Q452LR | 2328652 | 2SC1740LN(S) |
| Q453LR | 2328652 | 2SC1740LN(S) |
| Q454 | 2328652 | 2SC1740LN(S) [for W, AU] |
| | 2329561 | 2SC1845EF [except W, AU] |
| Q455 | 2328652 | 2SC1740LN(S) [for W, AU] |
| | 2329561 | 2SC1845EF [except W, AU] |
| Q481 | 2328652 | 2SC1740LN(S) |
| Q501 | 2317803 | 2SD1266(P) |
| Q503 | 2328652 | 2SC1740LN(S) |

| SYMBOL NO. | PART NO. | DESCRIPTION |
|------------|----------|--------------|
| Q504LR | 2328652 | 2SC1740LN(S) |
| Q651 | 2317803 | 2SD1266(P) |
| Q652 | 2328652 | 2SC1740LN(S) |
| Q653 | 2329582 | 2SA933(R) |
| Q654 | 2329582 | 2SA933(R) |
| Q701 | 2328652 | 2SC1740LN(S) |
| Q702 | 2329316 | 2SC1741QR |
| Q703 | 2329582 | 2SA933(R) |

DIODES

| | | |
|--------|---------|------------------------|
| D101 | 2397421 | 1SS133T [except W, AU] |
| D102 | 2338031 | 1S2790 |
| D103 | 2397421 | 1SS133T |
| D104 | 2397421 | 1SS133T [for W, AU] |
| D105 | 2338011 | 1S2473VE [for W, AU] |
| | 2397421 | 1SS133T [except W, AU] |
| D302 | 2397421 | 1SS133T |
| D451LR | 2397421 | 1SS133T |
| D453 | 2397421 | 1SS133T |
| D454 | 2338011 | 1S2473VE |
| D481 | 2397421 | 1SS133T |
| D501 | 2397421 | 1SS133T |
| D502 | 2397421 | 1SS133T |
| D503 | 2397421 | 1SS133T |
| D504 | 2397421 | 1SS133T |
| D505 | 2397421 | 1SS133T |
| D601 | 2337461 | S4VB20 |
| D602 | 2337762 | ERB12-01 [for W, AU] |
| D651 | 2397421 | 1SS133T |
| D652 | 2397421 | 1SS133T |
| D701 | 2397421 | 1SS133T |
| ZD451 | 2337615 | HZ-3B-2 |
| ZD501 | 2337527 | HZ9C1 |
| ZD502 | 2337524 | HZ9B1 |
| ZD503 | 2337523 | HZ-9A3 |
| ZD651 | 2337564 | HZ12-B1 |
| LED301 | 2397611 | LN242RPH-LF |
| LED651 | 2398362 | SLP139B |
| LED652 | 2398362 | SLP139B |

VARIABLE RESISTORS

| | | |
|---------|---------|--------------------------------|
| RT301 | 0158977 | 4.7kΩ-(B) [for W, AU] |
| | 0189331 | 5kΩ-(B) [except W, AU] |
| | | (38kHz FREE RUN ADJ.) |
| RT451LR | 0158973 | 100kΩ-(B) [for W, AU] |
| | 0189333 | 100kΩ-(B) [except W, AU] |
| | | (REC. BIAS CURRENT LEVEL ADJ.) |
| RT651 | 0158971 | 10kΩ-(B) [for W, AU] |
| | 0189331 | 5kΩ-(B) [except W, AU] |
| | | (TAPE 1, HIGH SPEED ADJ.) |
| RT652 | 0158971 | 10kΩ-(B) [for W, AU] |
| | 0189331 | 5kΩ-(B) [except W, AU] |
| | | (TAPE 1, NORMAL SPEED ADJ.) |
| RT653 | 0158971 | 10kΩ-(B) [for W, AU] |
| | 0189331 | 5kΩ-(B) [except W, AU] |
| | | (TAPE 2, HIGH SPEED ADJ.) |
| RT654 | 0158971 | 10kΩ-(B) [for W, AU] |
| | 0189331 | 5kΩ-(B) [except W, AU] |
| | | (TAPE 2, NORMAL SPEED ADJ.) |
| RV431LR | 0189262 | 10kΩ-(3B) [for W, AU] |
| | | (REC LEVEL CONTROL) |

| SYMBOL NO. | PART NO. | DESCRIPTION |
|------------|----------|---|
| RV431LR | 0189286 | 10k Ω -(3B) [except W, AU] (REC LEVEL CONTROL) |
| RV481 | 0189261 | 10k Ω -(A) [for W, AU] |
| | 0189285 | 10k Ω -(A) [except W, AU] (MIC. VOLUME CONTROL) |
| RV801 | 0189271 | 100k Ω -(B) [for W, AU] |
| | 0189287 | 100k Ω -(B) [except W, AU] (G/E CONTROL) |
| RV802 | 0189271 | 100k Ω -(B) [for W, AU] |
| | 0189287 | 100k Ω -(B) [except W, AU] (G/E CONTROL) |
| RV803 | 0189271 | 100k Ω -(B) [for W, AU] |
| | 0189287 | 100k Ω -(B) [except W, AU] (G/E CONTROL) |
| RV804 | 0189271 | 100k Ω -(B) [for W, AU] |
| | 0189287 | 100k Ω -(B) [except W, AU] (G/E CONTROL) |
| RV805 | 0189271 | 100k Ω -(B) [for W, AU] |
| | 0189287 | 100k Ω -(B) [except W, AU] (G/E CONTROL) |

COILS & TRANSFORMERS

| | | |
|--------|---------|---|
| L101 | 2135262 | FM RF coil |
| L102 | 2135253 | FM OSC. coil [for W, AU] |
| | 2135248 | FM OSC. coil [except W, AU] |
| | 2758321 | Ferrite antenna (L151) [for H, HC] |
| | 2758261 | Ferrite antenna (L151, 152) [for E, E(BS)] |
| | 2758251 | Ferrite antenna (L151, 152) [for W, AU] |
| L153 | 2137662 | SW ANT. coil [for E, E(BS)] |
| | 2137663 | SW ANT. coil [for W, AU] |
| L154 | 2137684 | Choke coil [for E, E(BS)] |
| | 2135641 | Coil [for W, AU] |
| L161 | 2137634 | MW OSC. coil [for H, HC] |
| | 2137712 | LW OSC. coil [for E, E(BS)] |
| | 2137711 | MW OSC. coil [for W, AU] |
| L162 | 2137711 | MW OSC. coil [for E, E(BS)] |
| | 2137713 | SW OSC. coil [for W, AU] |
| L163 | 2137671 | SW OSC. coil [for E, E(BS)] |
| | 2137672 | SW OSC. coil [for W, AU] |
| L451LR | 2227991 | Choke coil 3.3mH |
| L452 | 2137071 | Coil [for W, AU] |
| | 2136922 | OSC block [except W, AU] |
| L453LR | 2135626 | Trap coil |
| L454 | 2227353 | Choke coil 100 μ F |
| L651 | 2227877 | Choke coil |
| T101 | 2135651 | FM IF trans. |
| T201 | 2154952 | AM IF trans. |
| T202 | 2154964 | FM IF trans. |
| T203 | 2154951 | AM IF trans. |

MISCELLANEOUS

| | | |
|--------|---------|-----------------------------------|
| CT151 | 0283125 | Trimmer capacitor [except H, HC] |
| CT153 | 0283125 | Trimmer capacitor [except H, HC] |
| CT161 | 0283125 | Trimmer capacitor [for W, AU] |
| | 0282148 | Trimmer capacitor [for E, E(BS)] |
| CT163 | 0283125 | Trimmer capacitor [except H, HC] |
| CV101 | 0282282 | Variable capacitor [for H, HC] |
| | 0282351 | Variable capacitor [for E, E(BS)] |
| | 0282116 | Variable capacitor [for W, AU] |
| BPF101 | 2136871 | FM filter |
| CF201 | 2135321 | Ceramic filter |

| SYMBOL NO. | PART NO. | DESCRIPTION |
|----------------|----------|--|
| JK401 | 2678344 | 4P US pin jack |
| JK402 | 2678416 | MIC. jack |
| JK501 | 2678221 | Jack (3.5 ϕ) [for W, AU] |
| | 2678761 | Jack (3.5 ϕ) [except W, AU] |
| JK502 | 2688282 | 4P push terminal [for W, AU] |
| | 2689331 | 4P push terminal [except W, AU] |
| Δ JK601 | 2658452 | Power socket [for H, HC] |
| Δ | 2658462 | Power socket [for E, E(BS)] |
| Δ | 2658451 | Power socket [for W, AU] |
| S1 | 2628007 | Lever switch (BAND SELECT) [for H, HC] |
| | 2628004 | Lever switch (BAND SELECT) [except H, HC] |
| S2 | 2628003 | Lever switch (MODE SELECT/RIF/AFC) |
| S401 | 2628009 | Lever switch (FUNCTION SELECT) |
| | 2600401 | 4 key push switch (REC MODE, TAPE SELECT, REC MUTE) (S402, 404, 405, 406) |
| S403 | 2628322 | Slide switch (REC/PLAY SELECT) [for W, AU] |
| | 2628521 | Slide switch (REC/PLAY SELECT) [except W, AU] |
| Δ S501 | 2639869 | Push switch (OPERATE) |
| Δ S601 | 2618401 | Rotary switch (VOLTAGE SELECT) [for W] |
| Δ F601 | 2727894 | Fuse 4A 125V [for H, HC, W] |
| Δ | 2727582 | Fuse T4A [for AU] |
| Δ | 2727725 | Fuse T4A 250V [for E, E(BS)] |
| Δ F602 | 2727195 | Fuse 630mA [for W] |
| | 2727974 | Fuse holder |
| | 2727832 | Fuse holder |
| | 3978481 | LED holder |
| | 3950521 | LED holder |
| | 8691406 | 3 ϕ x 6 BT bind head screw (IC501, lug terminal) |
| | 8691408 | 3 ϕ x 8 BT bind head screw (Q501, Q651) |

for ACCESSORIES

| | | |
|----------|---------|---------------------------|
| Δ | 2706591 | AC power cord [for H] |
| Δ | 2711251 | AC power cord [for HC] |
| Δ | 2705942 | AC power cord [for E] |
| Δ | 2717901 | AC power cord [for E(BS)] |
| Δ | 2798522 | Power cord [for W] |
| Δ | 2704542 | Power cord [for AU] |
| Δ | 2667922 | Siemens plug [for H] |
| Δ | 2668091 | Siemens plug [for W] |

CABINET CHASSIS

| SYMBOL NO. | PART NO. | DESCRIPTION |
|------------|----------|---|
| 1 | 4577817 | 3φ x 30 screw (rear case) |
| 2 | 4577816 | 3φ x 20 BT screw (rear case) |
| 3 | 3306472 | Slide knob [for W, AU] |
| | 3306474 | Slide knob [except W, AU] (VOLUME CONTROL) |
| 4 | 3306471 | Slide knob [for W, AU] |
| | 3306473 | Slide knob [except W, AU] (MIC. VOLUME CONTROL, G/E CONTROL) |
| △ 5 | 2249323 | Power transformer [for H, HC] |
| △ | 2249322 | Power transformer [for E] |
| △ | 2249321 | Power transformer [for E(BS)] |
| △ | 2249281 | Power transformer [for W] |
| △ | 2249291 | Power transformer [for AU] |
| 7 | 3203361 | Front panel ass'y [for H, HC] |
| | 3203362 | Front panel ass'y [for E, E(BS)] |
| | 4029201 | Front panel ass'y [for W] |
| | 4029202 | Front panel ass'y [for AU] |
| 8 | 3978109 | Cassette door (TAPE 1) [except W, AU] |
| | 4823151 | Cassette door (TAPE 1) [for W, AU] |
| 9 | 3978100 | Cassette door (TAPE 2) [except W, AU] |
| | 4823152 | Cassette door (TAPE 2) [for W, AU] |
| 10 | 3950381 | Damper ass'y |
| 11 | 8691410 | 3φ x 10 BT bind head screw (damper, dubbing lever holder, others) |
| 12 | 3368563 | Eject spring |
| 13 | 4466461 | Dubbing lever |
| 14 | 4466491 | Dubbing lever holder |
| 15 | 3306481 | Button (dubbing) [for W, AU] |
| | 3306482 | Button (dubbing) [except W, AU] |
| 16 | 3950091 | Battery cover [for W, AU] |
| | 3950093 | Battery cover [except W, AU] |
| 17 | 3295102 | Push button (operate) [for W, AU] |
| | 3295103 | Push button (operate) [except W, AU] |
| 18 | 3295081 | Lever knob [For W, AU] |
| | 3295082 | Lever knob [except W, AU] (function select, band select, FM mode/RIF/AFC) |
| 19 | 3295193 | Button [for W, AU] |
| | 3295194 | Button [except W, AU] (REC mute, tape select, REC mode) |
| 20 | 3978441 | Pointer holder [for W, AU] |
| | 3978442 | Pointer holder [except W, AU] |
| 21 | 3978461 | Variable capacitor gear [for W, AU] |
| | 3978462 | Variable capacitor gear [except W, AU] |
| 22 | 3978453 | Pointer [for W, AU] |
| | 3978454 | Pointer [except W, AU] |
| 23 | 3306491 | Tuning knob [for W, AU] |
| | 3306492 | Tuning knob [except W, AU] |
| 24 | 4466451 | REC lever (A) |
| 25 | 4466431 | REC lever (B) |
| 26 | 2757901 | ROD antenna |

CASSETTE CHASSIS TAPE I

| SYMBOL NO. | PART NO. | DESCRIPTION |
|--------------------|----------|---|
| 27 | 4831891 | Rear case ass'y [for H] |
| | 4831892 | Rear case ass'y [for HC] |
| | 4831893 | Rear case ass'y [for E] |
| | 4831894 | Rear case ass'y [for E(BS)] |
| | 4825821 | Rear case ass'y [for W] |
| | 4825822 | Rear case ass'y [for AU] |
| 28 | 0741306 | 2.6φ x 6 bind screw (variable capacitor gear) |
| 29 | 8699414 | 3φ x 14 BT bind head screw (cassette chassis) |
| 30 | 8699410 | 3φ x 10 BT bind head screw (SP terminal, US pin) |
| 31 | 4578976 | 3φ x 20 BT bind head screw (power trans.) |
| 32 | 8744425 | 3φ x 25 bind screw (ROD antenna) |
| 33 | 2588731 | TN-222F-116 mecha ass'y (TAPE 1) [for W, AU] |
| | 2588732 | TN-222F-116 mecha ass'y (TAPE 1) [except W, AU] |
| 34 | 2588741 | TN-29F-135 mecha ass'y (TAPE 2) [for W, AU] |
| | 2588742 | TN-29F-135 mecha ass'y (TAPE 2) [except W, AU] |
| 35 | 3306451 | Button (operate) [for W, AU] |
| | 3306452 | Button (operate) [except W, AU] |
| 36 | 3978472 | Lever holder [for W, AU] |
| | 3978473 | Lever holder [except W, AU] |
| 37 | 3306502 | MODE lever A [for W, AU] |
| | 3306503 | MODE lever A [except W, AU] |
| 38 | 3306511 | MODE lever B [for W, AU] |
| | 3306512 | MODE lever B [except W, AU] |
| 39 | 3800403 | Handle [for W, AU] |
| | 3800402 | Handle [except W, AU] |
| 40 | 3362601 | Spring A [for W, AU] |
| | 3367142 | Spring A [except W, AU] |
| 41 | 4436664 | Terminal |
| 42 | 4436663 | Terminal |
| 43 | 3367063 | Spring |
| 44 | 3367062 | Spring |
| 45 | 4996212 | Foot |
| 46 | 4996213 | Foot |
| SPEAKER BOX | | |
| 47 | 3800721 | Front grille ass'y [for W, AU] |
| | 3800722 | Front grille ass'y [except W, AU] |
| 48 | 3800731 | Rear case L [for W, AU] |
| | 3800733 | Rear case L [except W, AU] |
| 49 | 3800732 | Rear case R [for W, AU] |
| | 3800734 | Rear case R [except W, AU] |
| 50 | 2403761 | 12cm speaker [for W, AU] |
| | | 12cm Speaker [except W, AU] |
| 51 | 4930881 | Ceramic tweeter [for W, AU] |
| | 2403353 | Piezo tweeter speaker [except W, AU] |
| 52 | 4930891 | Speaker cord [for W, AU] |
| | 2748646 | Speaker cord [except W, AU] |
| 53 | 8691410 | 3φ x 10 BT bind head screw (12cm speaker) |
| 54 | 4577816 | 3φ x 20 BT screw (front grille) |

| SYMBOL NO. | PART NO. | DESCRIPTION |
|------------|----------|--------------------------------|
| 1 | 4819081 | Head panel |
| 2 | 4819082 | CHP lever |
| 3 | 4819083 | CH slide lever collar |
| 4 | 4819084 | Head panel spring |
| 5 | 4819085 | Head base |
| 6 | 4819086 | Head plate |
| 7 | 4819087 | Head SP plate |
| 8 | 4819088 | Head |
| 9 | 4819089 | Take-up roller plate (R) ass'y |
| 10 | 4819080 | Take-up roller plate (F) ass'y |
| 11 | 4819091 | Take-up roller ass'y |
| 12 | 4819092 | Pinch roller arm (R) ass'y |
| 13 | 4819093 | C.H.P. lever collar A |
| 14 | 4819094 | Collar |
| 15 | 4819095 | FL metal (R) |
| 16 | 4819096 | Pinch roller arm (F) ass'y |
| 17 | 4819097 | Pinch roller spring |
| 18 | 4819098 | FL metal (F) |
| 19 | 4819099 | Take-up roller (F) spring |
| 20 | 4819090 | Take-up roller (R) spring |
| 21 | 4819101 | Control lever |
| 22 | 4819102 | Reel (R) ass'y |
| 23 | 4819103 | Sensor |
| 24 | 4819104 | Sensor spring |
| 25 | 4819105 | Reel (F) ass'y |
| 26 | 4819106 | Spring |
| 27 | 4819221 | Eject slide lever |
| 28 | 4819108 | Leaf switch (MOTOR SWITCH) |
| 29 | 4819109 | Button lever spring |
| 30 | 4819100 | Button lever spring |
| 31 | 4819111 | Pack SP plate |
| 32 | 4819112 | FF gear |
| 33 | 4819113 | Pinch roller arm (R) spring |
| 34 | 4819114 | Pinch roller arm (F) spring |
| 35 | 4819116 | Collar |
| 36 | 4819119 | CH slide lever |
| 37 | 4819110 | Switch SP plate |
| 38 | 4819121 | T.P.S. function lever |
| 39 | 4819122 | Push button actuator ass'y |
| 40 | 4819123 | Push button actuator spring |
| 41 | 4819124 | Switch actuator |
| 42 | 4819125 | RWD lever |
| 43 | 4819131 | PAUSE lever |
| 44 | 4819132 | PAUSE lever spring |
| 45 | 4819133 | PAUSE stopper |
| 46 | 4819134 | M function lever |
| 47 | 4819135 | Function lever spring |
| 48 | 4819136 | Bush |
| 49 | 4819137 | M function lever (B) spring |
| 50 | 4819138 | RF clutch ass'y |
| 51 | 4819139 | RF clutch arm spring |
| 52 | 4819130 | RF belt |
| 53 | 4819141 | Lift spring |
| 54 | 4819142 | Lift arm ass'y |
| 55 | 4819143 | M trigger arm spring |
| 56 | 4819144 | M trigger arm ass'y |
| 57 | 4819145 | M gear |
| 58 | 4819146 | CH lever ass'y |
| 59 | 4819147 | CH lever spring |
| 60 | 4819148 | CH gear ass'y |
| 61 | 4819149 | P gear |
| 62 | 4819140 | P trigger arm spring |

CASSETTE CHASSIS TAPE2

| SYMBOL NO. | PART NO. | DESCRIPTION | STMBOL NO. | PART NO. | DESCRIPTION | SYMBOL NO. | PART NO. | DESCRIPTION |
|------------|----------|---|------------|----------|--------------------------------------|------------|----------|---|
| 63 | 4819151 | P trigger collar | 108 | 4819204 | 2φ x 3 pan head screw (switch base) | 1 | 4818992 | Switch plate |
| 64 | 4819152 | P trigger arm | | | | 2 | 4818993 | Push button actuator ass'y |
| 65 | 4819153 | RF trigger arm | 109 | 4819205 | Polyslider washer (2.2φ x 3.8 x 0.5) | 3 | 4818990 | RWD lever |
| 66 | 4819154 | RF collar | | | | 4 | 4819131 | PAUSE lever |
| 67 | 4819155 | P actuator arm ass'y | 110 | 4819206 | Nylon washer (2.1φ x 3.5 x 0.5) | 5 | 4819132 | PAUSE lever spring |
| 68 | 4819156 | P actuator arm spring | | | | 6 | 4819133 | PAUSE stopper |
| 69 | 4819157 | Cam gear plate ass'y | 111 | 4819207 | Wire line | 7 | 4819100 | Button lever spring |
| 70 | 4819158 | Sensor plate spring | 112 | 4819208 | 2φ x 3 screw (switch base) | 8 | 4819005 | Button lever spring |
| 71 | 4819159 | Cam gear plate spring | 113 | 4718209 | Damper spring | 9 | 4819006 | PR stopper |
| 72 | 4819150 | Cam gear | 114 | 4819222 | Eject slide lever spring | 10 | 4819007 | Button lever spring |
| 73 | 4819161 | Pulley | 115 | 4819223 | PLAY button lever | 11 | 4819008 | Actuator spring |
| 74 | 4819162 | Full auto belt | 116 | 4819224 | REWIND button lever | 12 | 4819009 | Auto lever |
| 75 | 4819163 | RF lever | 117 | 4819225 | FF button lever | 13 | 4819000 | Auto lever spring |
| 76 | 4819164 | Sensing plate | 118 | 4819226 | STOP button lever | 14 | 4819011 | Leaf switch (MOTOR SWITCH) |
| 77 | 4819165 | Control lever | 119 | 4819227 | PAUSE button lever ass'y | 15 | 4819013 | Head panel ass'y |
| 78 | 4819166 | Control lever spring | 120 | 3800421 | Operation lever | 16 | 4819015 | Sensing plate ass'y |
| 79 | 4819167 | FL pulley capstan ass'y | 121 | 4819232 | Button lever shaft | 17 | 4819016 | Head panel spring |
| 80 | 4819168 | FL gear capstan ass'y | 122 | 4819233 | Button frame | 18 | 4819017 | Spring |
| 81 | 4819160 | Leaf switch (PLAY SWITCH,FF/REWSWITCH) | 123 | 4819234 | 2φ x 8 camera screw (button frame) | 19 | 4819010 | Pressure roller ass'y |
| 82 | 4819171 | Damper spring | 124 | 4819235 | Motor ass'y [for W, AU] | 20 | 4819021 | Pressure roller spring |
| 83 | 4819172 | FL patch plate | | 4819237 | Motor ass'y [except W, AU] | 21 | 4819022 | RF pulley arm ass'y |
| 84 | 4819173 | M collar screw (motor) | 125 | 4819182 | T.P.S. lever | 22 | 4819023 | RF pulley arm spring |
| 85 | 4819174 | Motor rubber | 126 | 4819183 | T.P.S. lever spring | 23 | 4819024 | RF belt |
| 86 | 4819176 | Switch base ass'y | 127 | 4819107 | Main base ass'y | 24 | 4819025 | RF arm collar screw |
| 87 | 4819228 | Main belt | 128 | 4819229 | FL hold plate | 25 | 4819028 | Take-up gear plate ass'y |
| 88 | 4819181 | Coil ass'y | 129 | 4819118 | Chassis ass'y | 26 | 4819029 | Take-up roller gear |
| 89 | 4819185 | Spring | | | | 27 | 4819020 | TG plate spring |
| 90 | 4819186 | 2φ x 3 screw with washer (chassis) | | | | 28 | 4819112 | FF gear |
| 91 | 4819187 | 2φ x 10 fine screw (head) | | | | 29 | 4819032 | Spring |
| 92 | 4819188 | 2φ x 2.5 camera screw (CHP lever) | | | | 30 | 4819034 | Take-up reel ass'y |
| 93 | 4819189 | 2φ x 8.5 camera screw (FL metal) | | | | 31 | 4819035 | Record safety lever |
| 94 | 4819180 | Polyslider washer cut (1.2φ x 3 x 0.25) | | | | 32 | 4819036 | Pack spring |
| 95 | 4819191 | 2φ x 6 tapping screw (pinch roller arm) | | | | 33 | 4819037 | Spring |
| 96 | 4819192 | 2φ x 3 C tapping screw (pack SP plate) | | | | 34 | 4819039 | Motor rubber |
| 97 | 4819193 | 2φ x 8 screw with washer (E slide lever, coil ass'y) | | | | 35 | 4819044 | Eject slide lever spring |
| 98 | 4819194 | Polyslider washer (2.1φ x 5 x 0.4) | | | | 36 | 4819045 | Screw (eject slide lever) |
| 99 | 4819195 | 2φ x 5 C tapping screw (E slide lever) | | | | 37 | 4819047 | M. trigger arm ass'y |
| 100 | 4819196 | E ring (2φ) | | | | 38 | 4819048 | M.T.A. collar |
| 101 | 4819197 | 2φ x 6 P tapping screw (chassis) | | | | 39 | 4819049 | Main gear spring |
| 102 | 4819198 | 2φ x 3 camera screw (CH slide lever) | | | | 40 | 4819051 | REC sensor |
| 103 | 4819199 | 2φ x 1.5 camera screw (switch SP plate) | | | | 41 | 4819052 | REC sensor collar |
| 104 | 4819190 | E ring (1.5φ) | | | | 42 | 4819053 | REC sensor spring |
| 105 | 4819201 | 2φ x 3.5 camera screw (P trigger arm, RF trigger arm) | | | | 43 | 4819054 | REC function arm B |
| 106 | 4819202 | 2φ x 2.5 camera screw (RF lever, P actuator ass'y) | | | | 44 | 4819055 | REC spring |
| 107 | 4819203 | E ring (1.5φ special) | | | | 45 | 4819056 | REC arm (B) spring |
| | | | | | | 46 | 4819057 | REC arm (A) spring |
| | | | | | | 47 | 4819058 | Main gear |
| | | | | | | 48 | 4819050 | R/P head [for W, AU] |
| | | | | | | | 2555671 | R/P head [except W, AU] |
| | | | | | | 49 | 4819062 | Lug |
| | | | | | | 50 | 4819063 | 2φ x 3 tapping screw (pack spring) |
| | | | | | | 51 | 4819064 | 2φ x 4 C tapping bind screw (sub chassis) |
| | | | | | | 52 | 4819195 | 2φ x 5 C tapping screw (sub chassis) |
| | | | | | | 53 | 4819066 | 2φ x 3.5 P tapping screw (reel base) |
| | | | | | | 54 | 4819204 | 2φ x 3 pan head screw (sub chassis) |
| | | | | | | 55 | 4819068 | 2φ x 4 tapping screw (motor bracket) |

| SYMBOL NO. | PART NO. | DESCRIPTION |
|------------|----------|--|
| 56 | 4819060 | 2 ϕ x 7 screw (R/P head) |
| 57 | 4819202 | 2 ϕ x 2.5 camera screw (M. trigger arm) |
| 58 | 4819072 | 2 ϕ x 7 screw (frame) |
| 59 | 4819073 | 2 ϕ x 5 screw (REC sensor) |
| 60 | 4819196 | E ring (2 ϕ) |
| 61 | 4819180 | Polyslider washer cut (1.2 ϕ x 3 x 0.25) |
| 62 | 4819077 | Washer (1.2 ϕ x 3 x 0.4) |
| 63 | 4819078 | Washer (1.55 ϕ x 3.8 x 0.5) |
| 64 | 4819079 | P washer cut (2.2 ϕ x 3.8 x 0.4) |
| 65 | 4819522 | REC button lever |
| 66 | 4819523 | PLAY button lever |
| 67 | 4819524 | RWD button lever |
| 68 | 4819525 | FF button lever |
| 69 | 4819526 | STOP button lever |
| 70 | 4819527 | PAUSE button lever ass'y |
| 71 | 4819528 | Head base |
| 72 | 4819529 | E.H. spring |
| 73 | 4819520 | Flywheel ass'y |
| 74 | 4819531 | Supply reel ass'y |
| 75 | 4819533 | Motor collar screw (motor) |
| 76 | 4819534 | Main belt |
| 77 | 4819535 | Eject slide lever |
| 78 | 4819536 | Frame |
| 79 | 4819537 | Operation lever |
| 80 | 4819538 | Button lever shaft |
| 81 | 4819539 | REC function arm (A) |
| 82 | 4819541 | Erase head [for W, AU] |
| | 2555331 | Erase head [except W, AU] |
| 83 | 4819542 | 2 ϕ x 7 pan head screw (R/P head) |
| 84 | 4819543 | 2 ϕ x 8 pan head screw (erase head) |
| 85 | 4819544 | 2 ϕ x 8 cap screw (erase head) |
| 86 | 4819545 | Washer (2.1 ϕ x 5 x 0.4) |
| 87 | 4819546 | Motor ass'y [for W, AU] |
| | 4819547 | Motor ass'y [except W, AU] |
| 88 | 4819027 | Reel base ass'y |
| 89 | 4819521 | Main base ass'y |

**HITACHI SALES EUROPA GmbH**

Postfach 801060 Rungedamm 2, 2050 Hamburg 80,
West Germany
Tel. 040-734 11-0

HITACHI SALES (U.K.) Ltd.

Hitachi House, Station Road, Hayes, Middlesex UB3
4DR, England
Tel. 01-848-8787

HITACHI SALES SCANDINAVIA AB

Rissneleden 8, Box 7138, 172-07 Sundbyberg, Sweden
Tel. 08-98 52 80

HITACHI SALES NORWAY A/S

Oerebekk 1620, Gressvik, P.O. Box 46, N-1601,
Fredrikstad, Norway
Tel. 032-28255

SUOMEN HITACHI OY

Takoankatsu 5, 15800 Lahti 80, Finland
Tel. Lahti 44 241

HITACHI SALES A/S

Kuldysen 13, DK-2630, Taastrup, Denmark
Tel. 02-999200

HITACHI SALES A.G.

Bahnhofstrasse, 19, 5600 Lenzburg, Switzerland
Tel. 064-513621

HITACHI SALES WARENHANDELS GMBH

A-1180/Wien, Kreuzgasse 27, Austria
Tel. 0222-439367

HITACHI SALES ITALIANA, S.P.A.

Via Cristoforo Colombo 49, Trezzano sul naviglio
(Milano), Italy
Tel. 02-44 59 031

HITACHI SALES BELGIUM S.A.

56 Chaussee de Namur B-1400 Nivelles, Belgium
Tel. (003267) 227181

HITACHI SALES IBERICA, S.A.

Gran Via Carlos Tercero, 101, 1-1, Barcelona-28,
Spain
Tel. 330-8652

HITACHI MAROC (RADIO TV ELECTRO-MANAGER), S.A.

Rue du Havre, Casablanca, Morocco
Tel. 30-73-68, 30-73-57

HITACHI CANARIAS S.A.

Calle San-Francisco No. 19, Santa Cruz de Tenerife
Canary Islands
Tel. 24-64-98

HITACHI SALES (HELLAS) LTD.

110 Syngrou St., Athens, Greece
Tel. 9219082, 9233469

HITACHI SALES (MALAYSIA) SDN. BHD.

17, Jalan 20/16, Petaling Jaya, Selangor, Malaysia
Tel. 762523, 769918, 769836, 762594

HITACHI (SINGAPORE) PTE., LTD.

Room B, C & D, 15th Floor, Yen San Building
268 Orchard Road, Singapore 9, Singapore
Tel. 7378244, 7379826

HITACHI SALES (THAILAND) LTD.

2242-48, New Petchburi Road, Bangkok, Hueykuang
Bangkok, Thailand
Tel. 314-2741

HITACHI ELECTRIC SERVICE CO., (HONG KONG) LTD.

4th Floor Leun Tai Industrial Bldg., 72-76 Kwai Cheong
Road Kwai Chung N.T., Hong Kong
Tel. 240126

HITACHI SALES AUSTRALIA PTY LTD.

153 Keys Road, Moorabbin, Victoria 3189 Australia
Tel. 555-8722

HITACHI SALES CORPORATION OF AMERICA

Eastern Regional Office
1290 Wall Street West, Lyndhurst, New Jersey 07071, U.S.A.
Tel. 201-935-8980

Mid-Western Regional Office

1400 Morse Ave., Elk Grove Village, Ill. 60007, U.S.A.
Tel. 312-593-1550

Southern Regional Office

510 Plaza Drive, College Park, Georgia 30349, U.S.A.
Tel. 404-763-0360

Western Regional Office

401 West Artesia Boulevard, Compton, California 90220 U.S.A.
Tel. 213-537-8383

HITACHI SALES CORPORATION OF HAWAII, INC.

3219 Koapaka Street, Honolulu, Hawaii 96819, U.S.A.
Tel. 808-836-3621

HITACHI (HSC) CANADA INC.

3300 Trans-Canada Highway, Pointe Claire, Quebec,
H9R 1B1, Canada
Tel. 514-697-9150

Hitachi Sales Centroamericans, S.A.

San Rafael de Excazu, (Apartado 10272), San Jose,
Costa Rica
Tel. 28-20-11, 28-00-37

Hitachi Sales Corporation de Panama, S.A.

Nuevo Repato E1 Camen, Calle Ramon Arias y Calle B
Edificio Brasil 100, (Apartado 7657) Panama 5
Panama City, Rep of Panama
Tel. 61-3100, 61-4305

Hitachi Sales de Chile Cia., Ltda.

Av. Mexico, 0183, Casilla 9793, Correo Central
Santiago, Chile
Tel. 774165

HITACHI-FRANCE S.A.

95-101 Rue Charies Michels,
93200 SAINT-DENIS,
France
Tel. 1-4821-6015

HITACHI LTD. TOKYO JAPAN

Head Office:

THE HITACHI ATAGO BLDG.
No. 15-12, 2-Chome Nishi-Shinbashi
Minato-Ku, Tokyo 105, Japan
Tel. Tokyo (03) 502-2111